

# SIRUBA

## GAGE PARTS LIST

Series

700FS

Remark

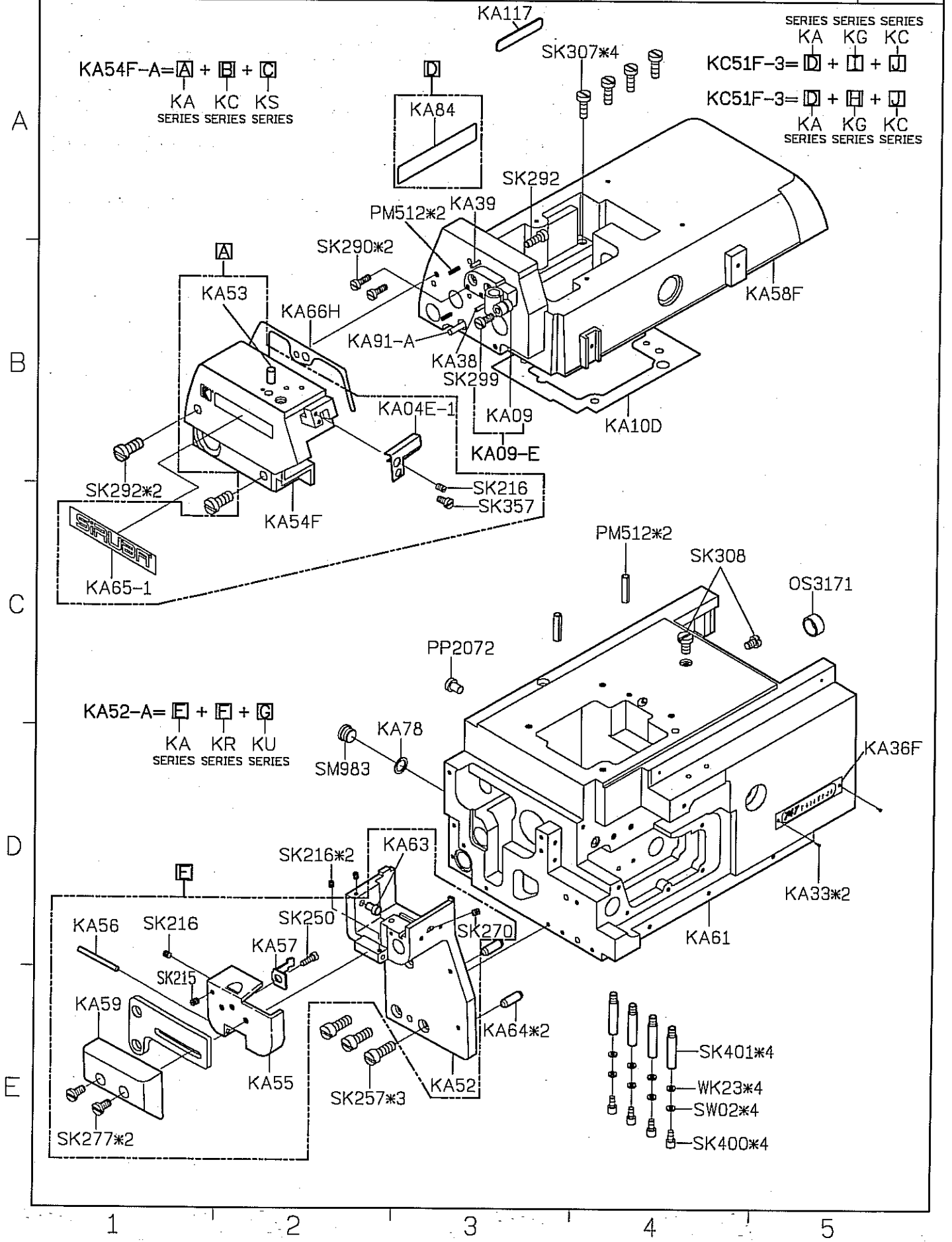
Page

Date

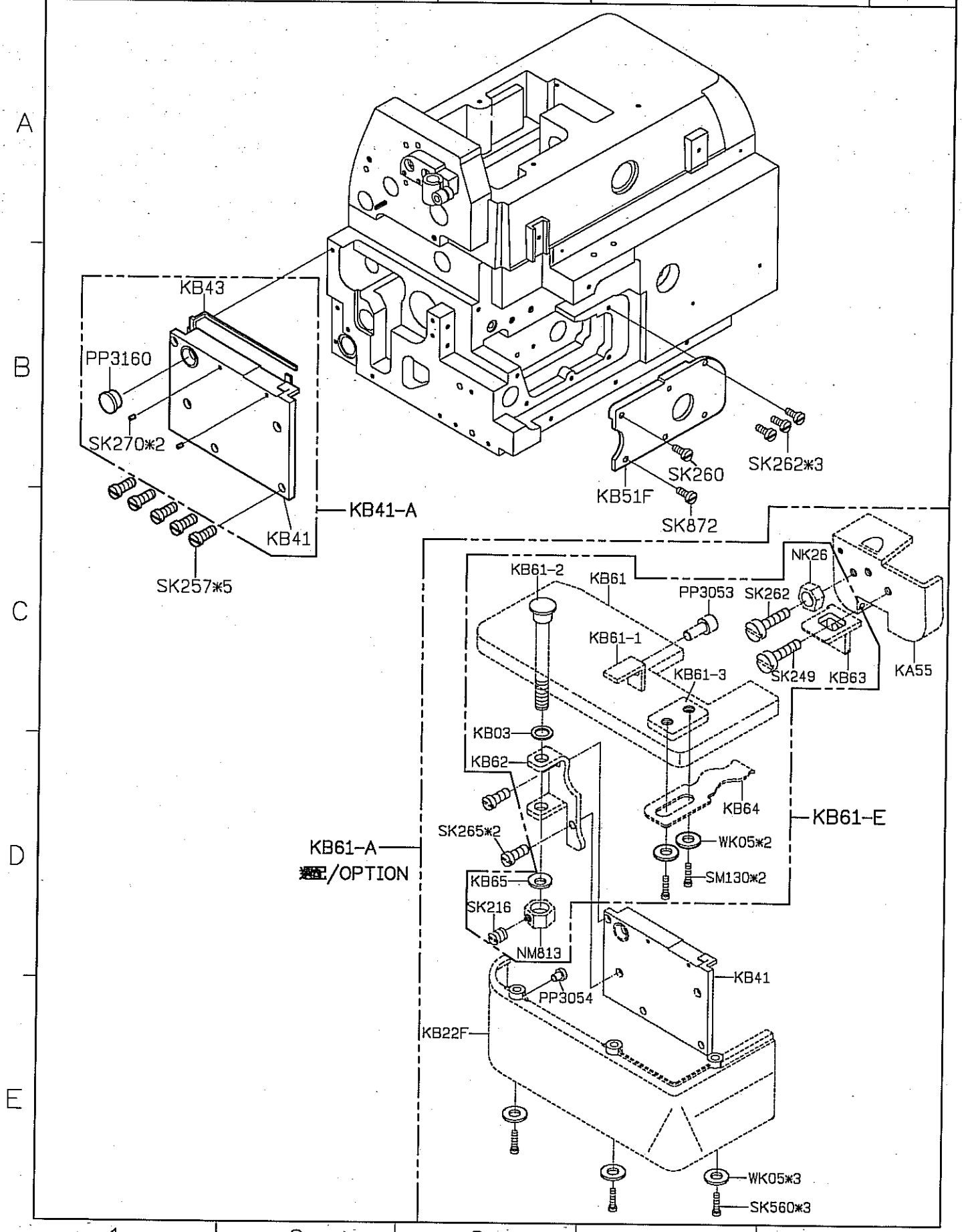
1 / 1

2014/02/26

機型 MODEL	包邊寬度 OVEREDGE WIDTH	針板 NEEDLE PLATE	送具 FEED DOG	送具 FEED DOG	送具 FEED DOG	縫距 STITCH LENGTH	押具 PRESSER FOOT	押具舌 PRESSER FINGER	勾針 LOOPER	針榴 NEEDLE CLAMP	衝程 CRANK	衝程 CRANK	束子 COLLER	針號 NEEDLE	押具高度 PRESSER FOOT HEIGHT	送具形式 FEED DOG STYLE	衝程 CRANK	墊圈 WASHER	S.P.M 轉速 S.P.M
737FS	505F1-04	E304	D103	D102	H104	1.6	P152D-3	—	LP26	KG131	KF25	KJ09B	KJ10	DCX27#9	5.5		KL62	KL11	7000
	505F1-04/ESS	E304	D103	D102	H104	1.6	P152D-3	—	LP26	KG131	KF25	KJ09B	KJ10	DCX27#9	5.5		KL62	KL11	7000
	504M2-04	E324K	D117K	D116K	H118K	1.6	P987-3	BK03	LP26	KG131	KF26	KJ11B	KJ13	DCX27#11	5.5		KL60	KL11	6300
	504M2-04/LF-D3	E324K	D117K	D116K	H118K	1.6	P212-3A	—	LP26	KG131	KF26	KJ11B	KJ13	DCX27#11	5.5		KL60	KL11	6000
737FS	504M2-04/LF-D6	E324K	D117K	D116K	H118K	1.6	P212-A	—	LP26	KG131	KF26	KJ11B	KJ13	DCX27#11	5.5		KL60	KL11	6000
	504M2-04/LF-D6A	E324K	D117K	D116K	H118K	1.6	P212-3A	—	LP26	KG131	KF26	KJ11B	KJ13	DCX27#11	5.5		KL60	KL11	6000
	504M2-04/LFC-25	E324K	D117K	D116K	H118K	1.6	P111-3	—	LP26	KG131	KF26	KJ11B	KJ13	DCX27#11	6.5		KL60	KL11	6300
	514M2-24	E434K	D117K	D116K	H118K	1.6	P987-4	BK03	LP26	KG142	KF26	KJ11B	KJ13	DCX27#11*2	5.5		KL60	KL11	6000
747FS	514M2-28	E435	D117K	D116K	H117	1.6	P201-28A	—	LP98-28	KG142	KF26	KJ11B	KJ13	DCX27#11*2	5.5		KL60	KL11	4500
	514M4-24	E424	D103	D116	H118	1.6	P987-4	BK03	LP26	KG142	KF25	KJ69	KJ10	DCX27#11*2	6.5		KL62	KL11	7000
	514M2-24/LF-D3	E434K	D117K	D116K	H118K	1.6	P212-4A	—	LP26	KG142	KF26	KJ11B	KJ13	DCX27#11*2	5.5		KL60	KL11	6000
	514M2-24/LF-D6	E434K	D117K	D116K	H118K	1.6	P212-2A	—	LP26	KG142	KF26	KJ11B	KJ13	DCX27#11*2	5.5		KL60	KL11	6000
514M2-24/LF-D6A	E434K	D117K	D116K	H118K	1.6	P212-4A	—	LP26	KG142	KF26	KJ11B	KJ13	DCX27#11*2	5.5		KL60	KL11	6000	



SIRUBA PARTS LIST	Series	Parts Group	Subclass / Remark	Page
	700FS	KB		1/1
				Date
				2014/02/26



**SIRUBA**

PARTS LIST

Series

**700FS**

Parts Group

**KB61-A**

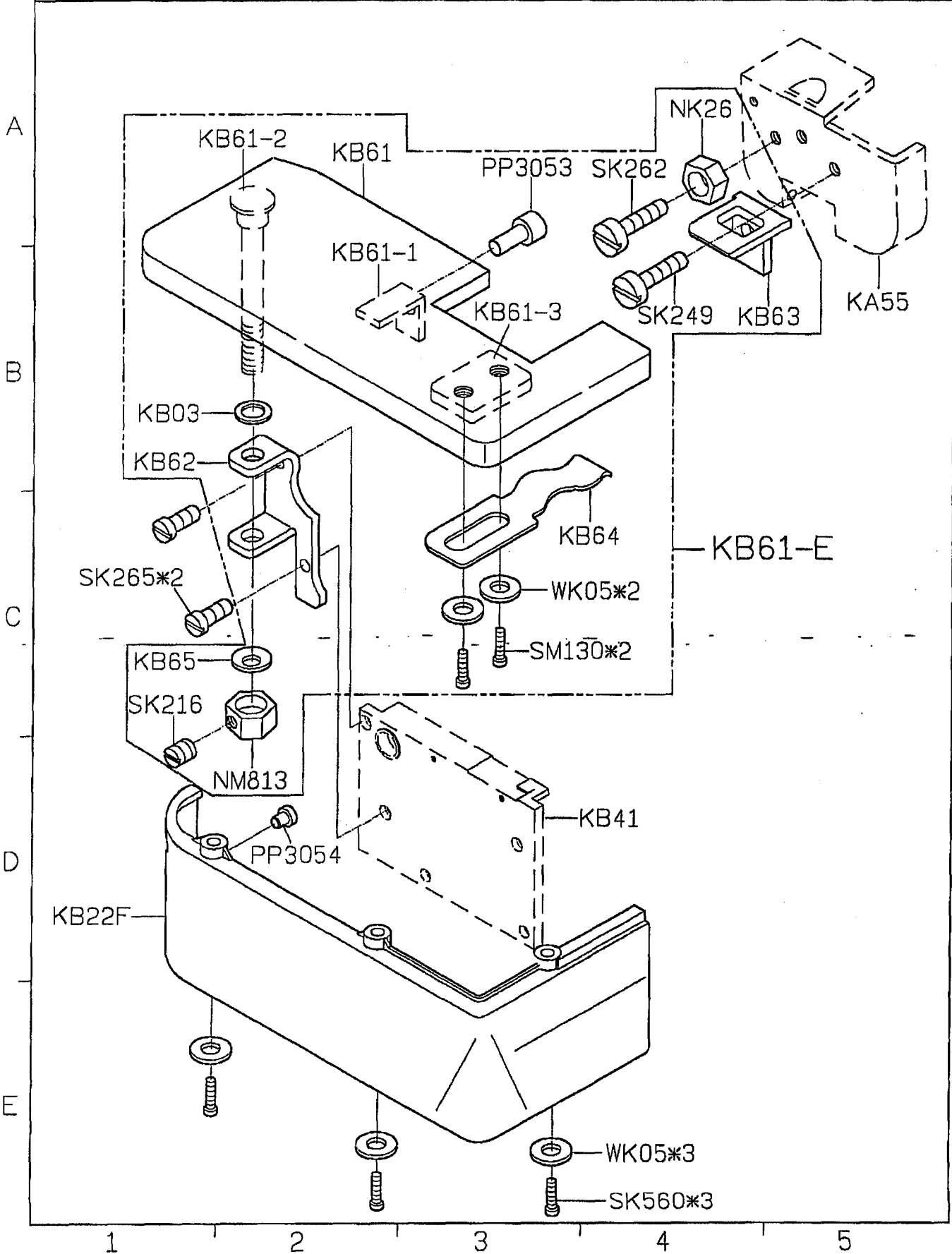
Subclass Remark

Page

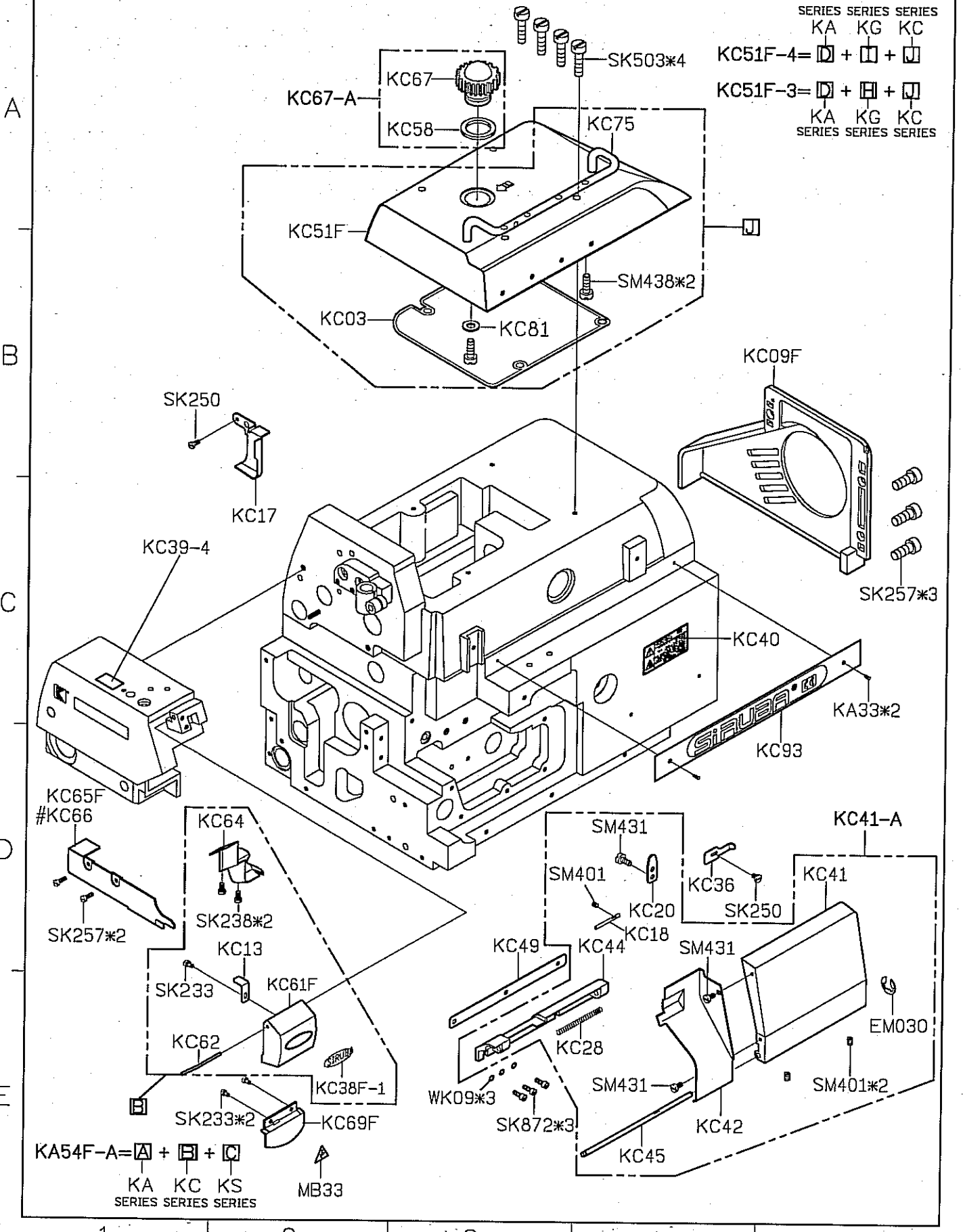
1/1

Date

2013/08/10



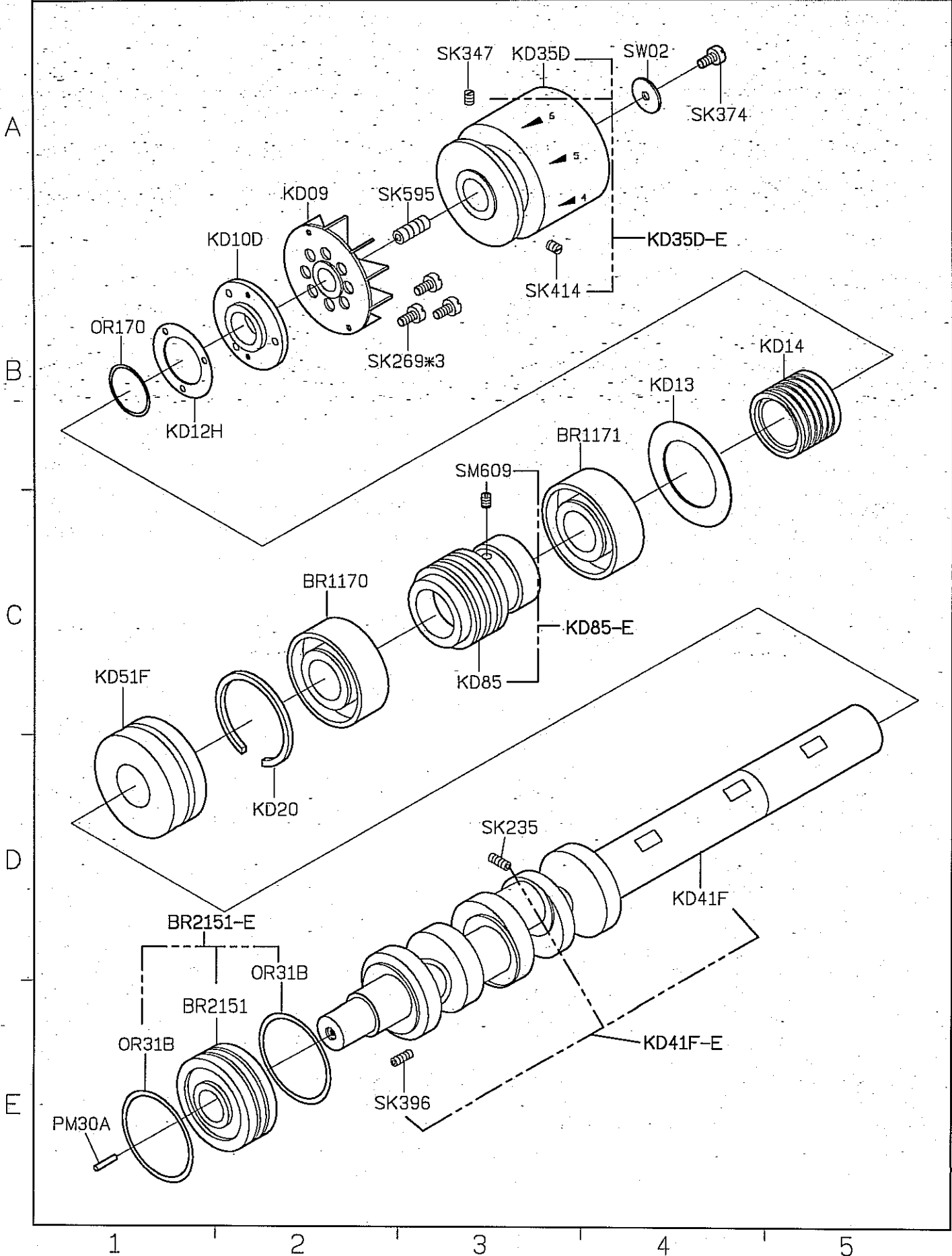
<b>SIRUBA</b> PARTS LIST	Series	Parts Group	Subclass / Remark	Page
	<b>700FS</b>	<b>KC</b>	<b>#:Use For M2-28</b>	1/1
				Date
				2014/02/26



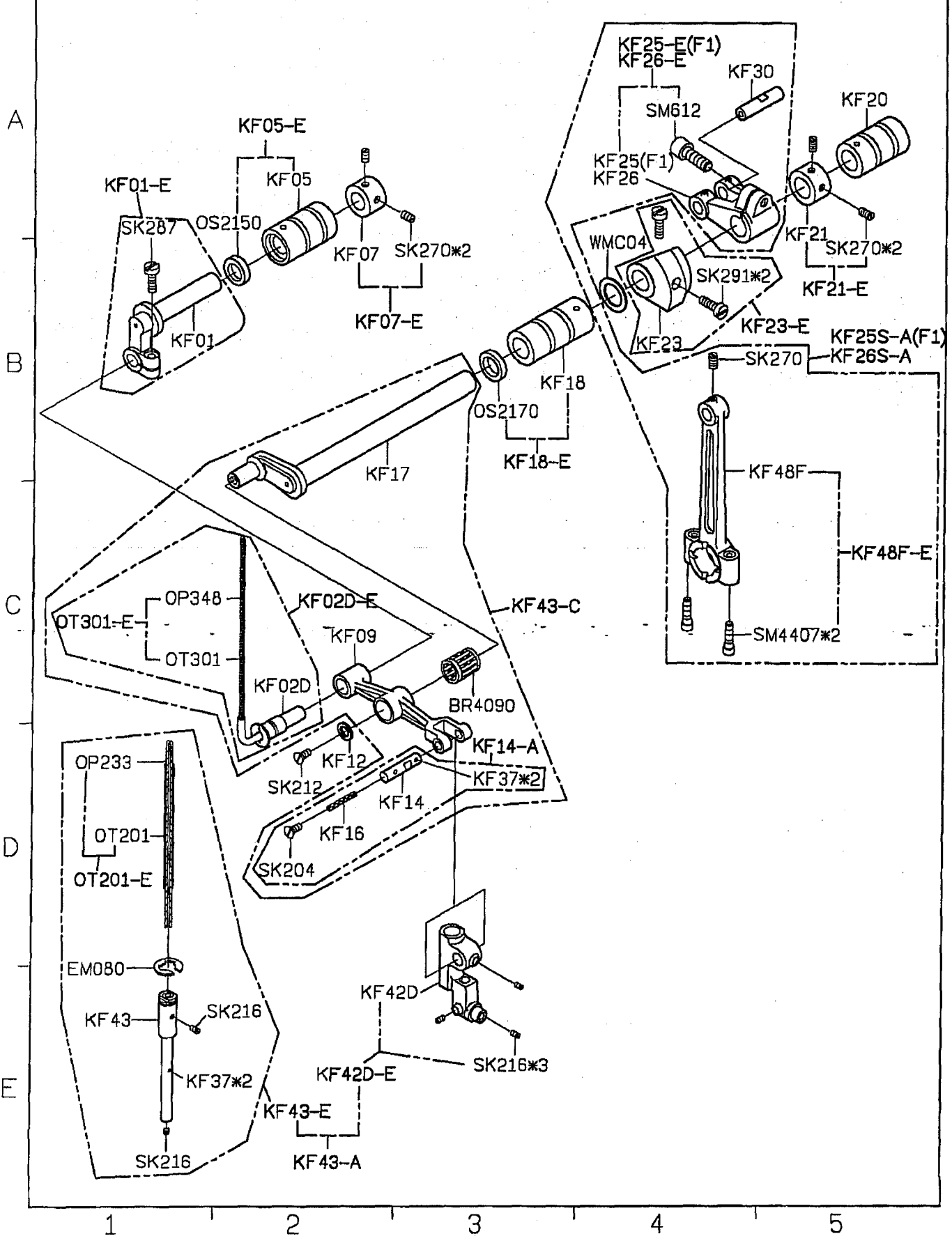
SERIES SERIES SERIES  
 KA KG KC  
 KC51F-4 = [ ] + [ ] + [ ]  
 KC51F-3 = [ ] + [ ] + [ ]  
 KA KG KC  
 SERIES SERIES SERIES

KA54F-A = [ ] + [ ] + [ ]  
 KA KC KS  
 SERIES SERIES SERIES  
 MB33

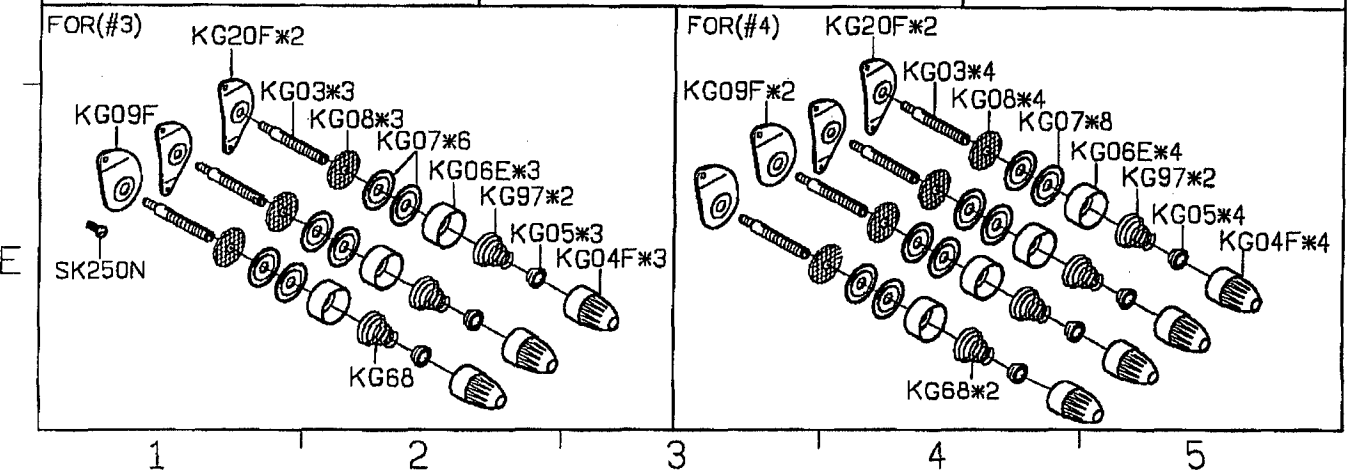
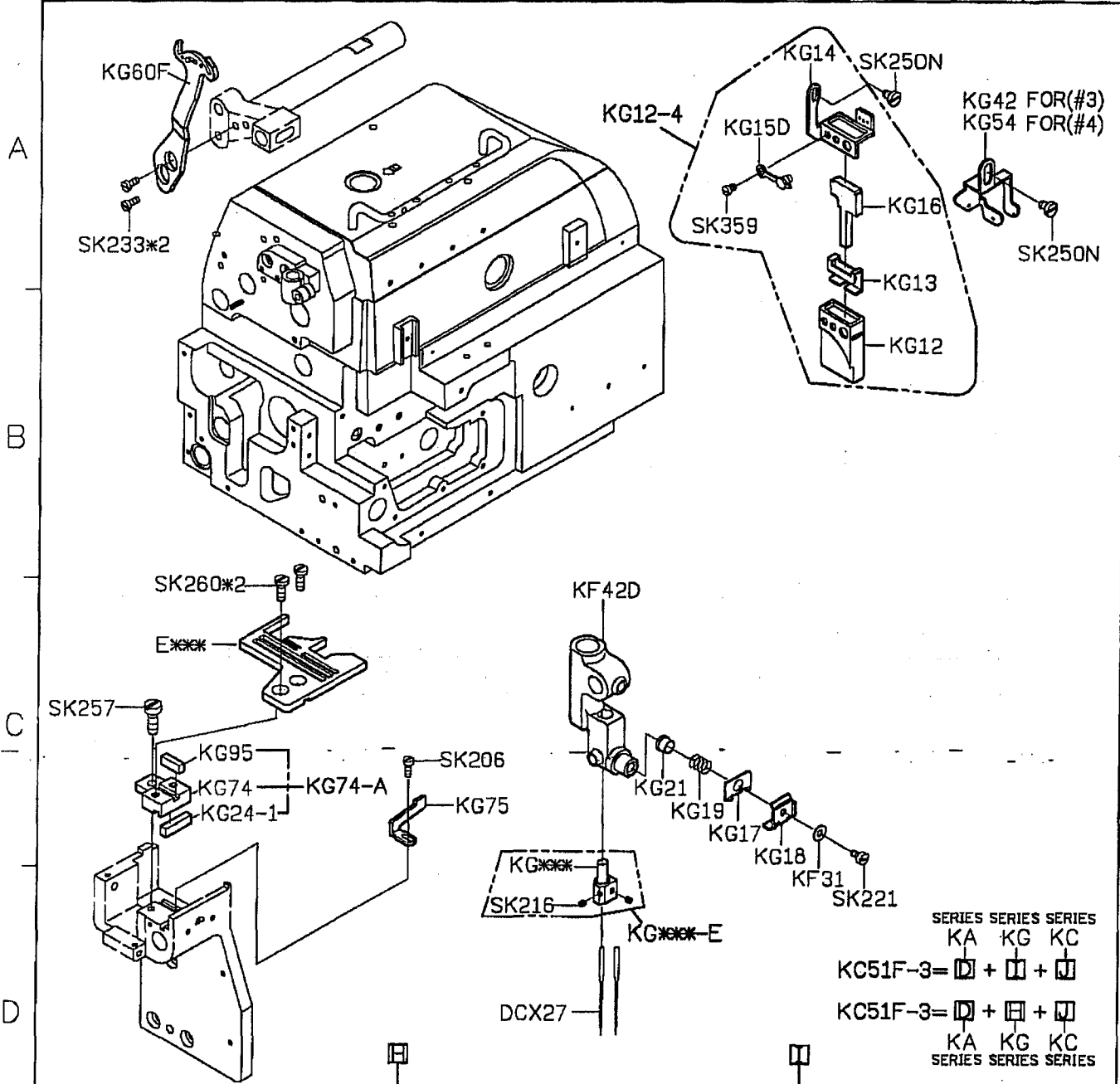
<b>SIRUBA</b> PARTS LIST	Series	Parts Group	Subclass / Remark	Page
	<b>700FS</b>	<b>KD</b>		1/1
				Date
				2013/11/28



SIRUBA PARTS LIST	Series	Parts Group	Subclass / Remark	Page
	700FS	KF		1/1
				Date
				2013/08/10



<b>SIRUBA</b> PARTS LIST	Series	Parts Group	Subclass / Remark	Page
	<b>700FS</b>	<b>KG</b>		1/1
				Date
				2013/08/10





**SIRUBA**

PARTS LIST

Series

**700FS**

Parts Group

**KJ**

Subclass / Remark

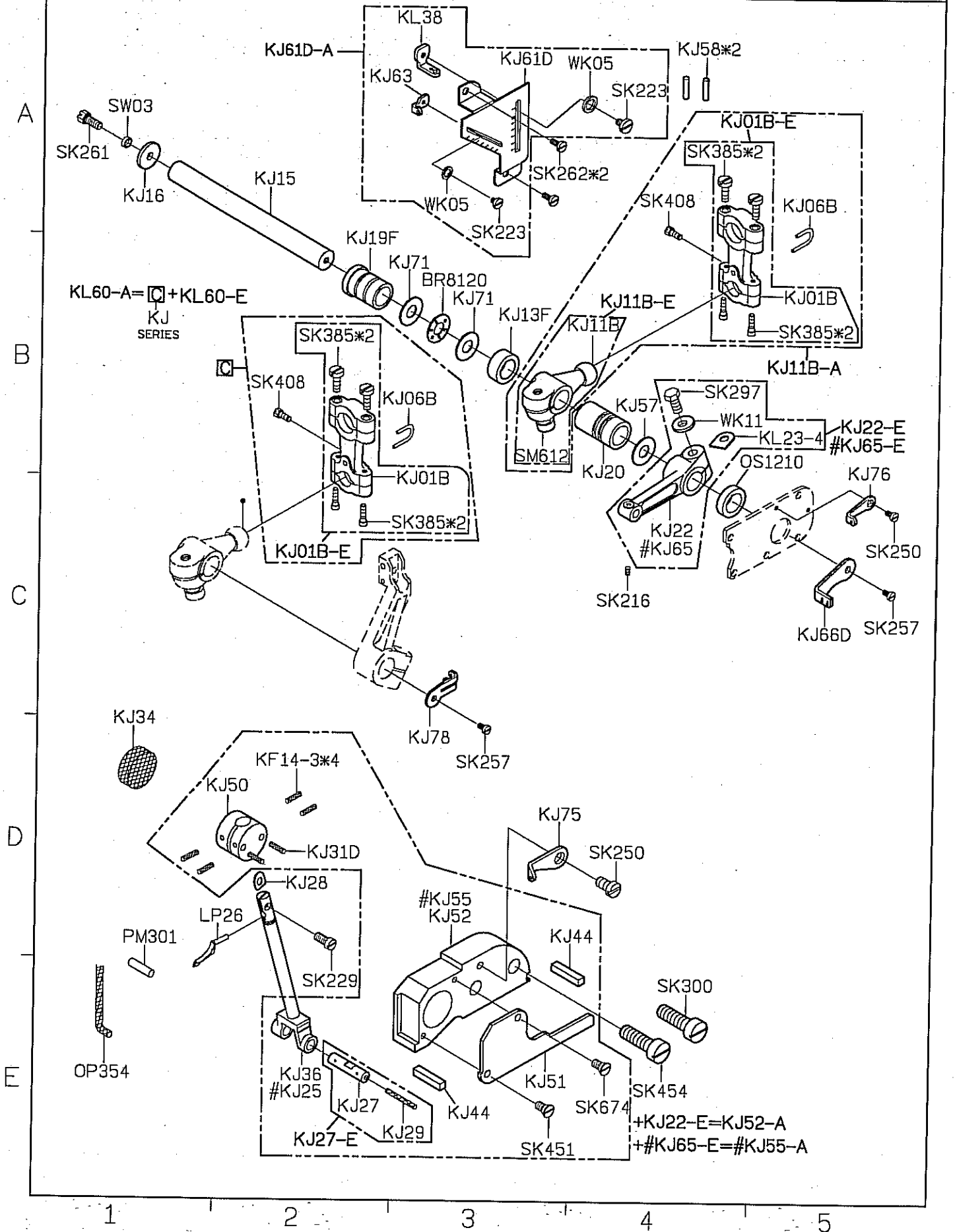
#:Use For M2-28

Page

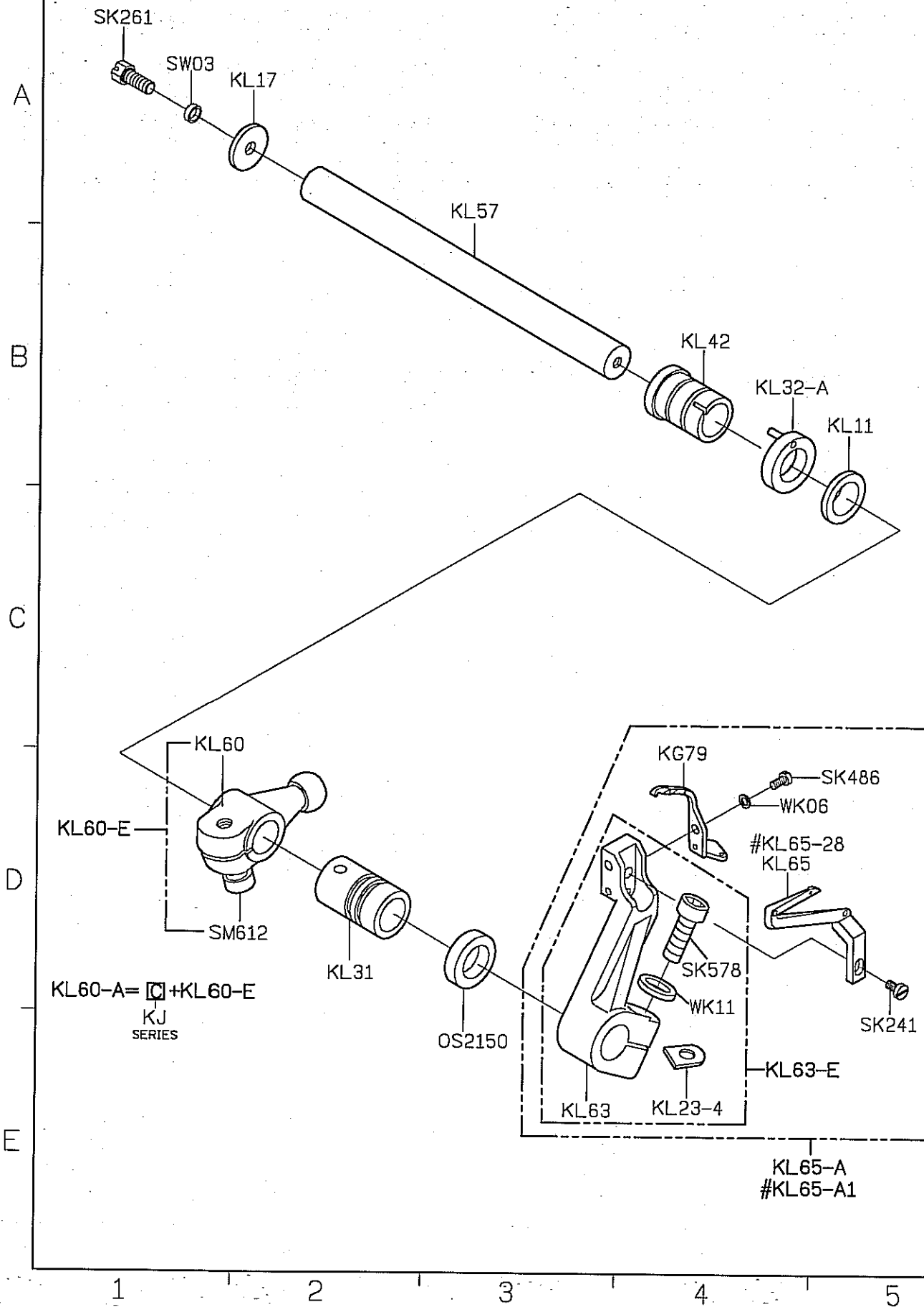
1/1

Date

2014/02/26



SIRUBA PARTS LIST	Series	Parts Group	Subclass / Remark	Page
	700FS	KL	#:Use For M2-28	1/1
				Date
				2014/02/26



**SIRUBA**

PARTS LIST

Series

**700FS**

Parts Group

**KP**

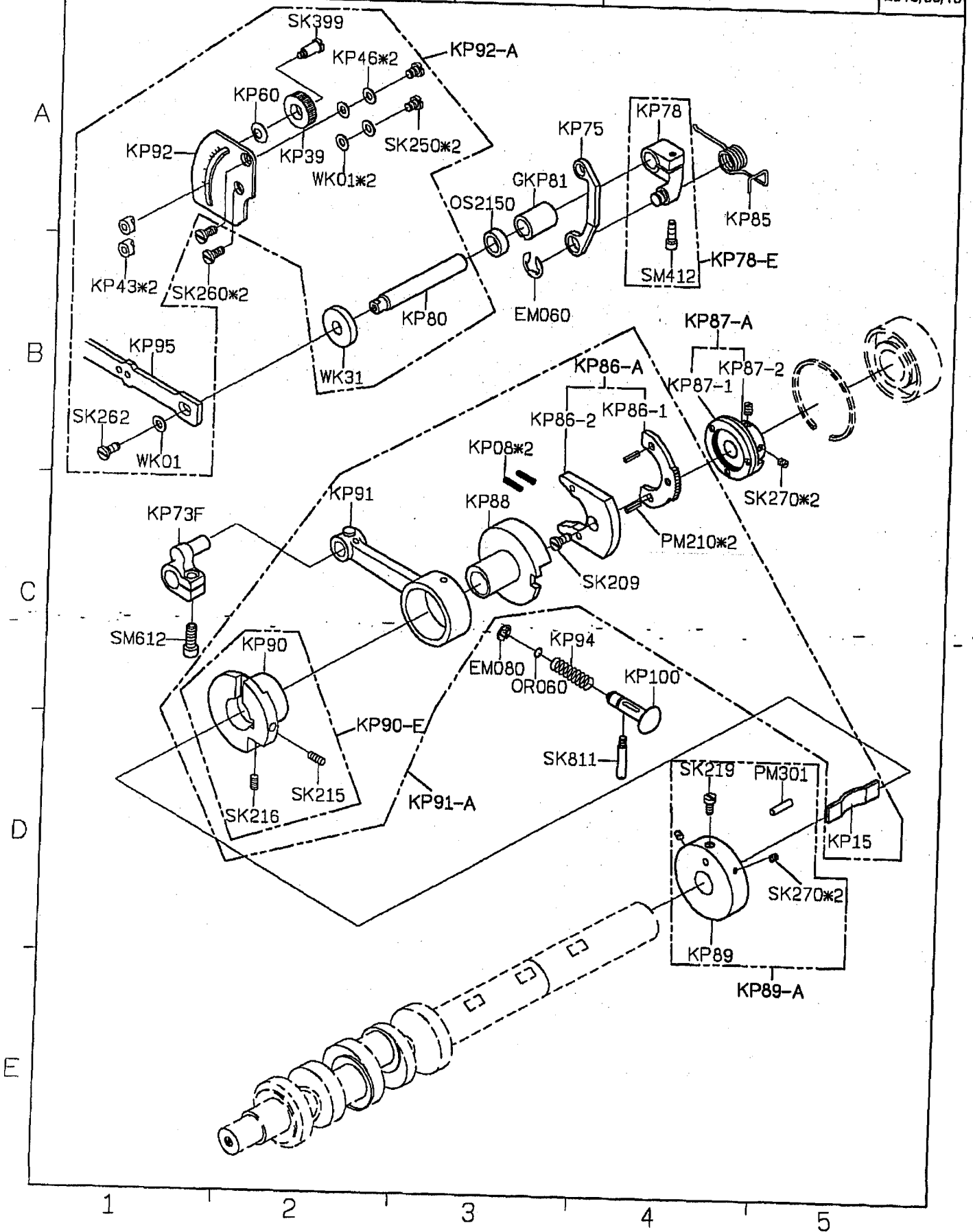
Subclass / Remark

Page

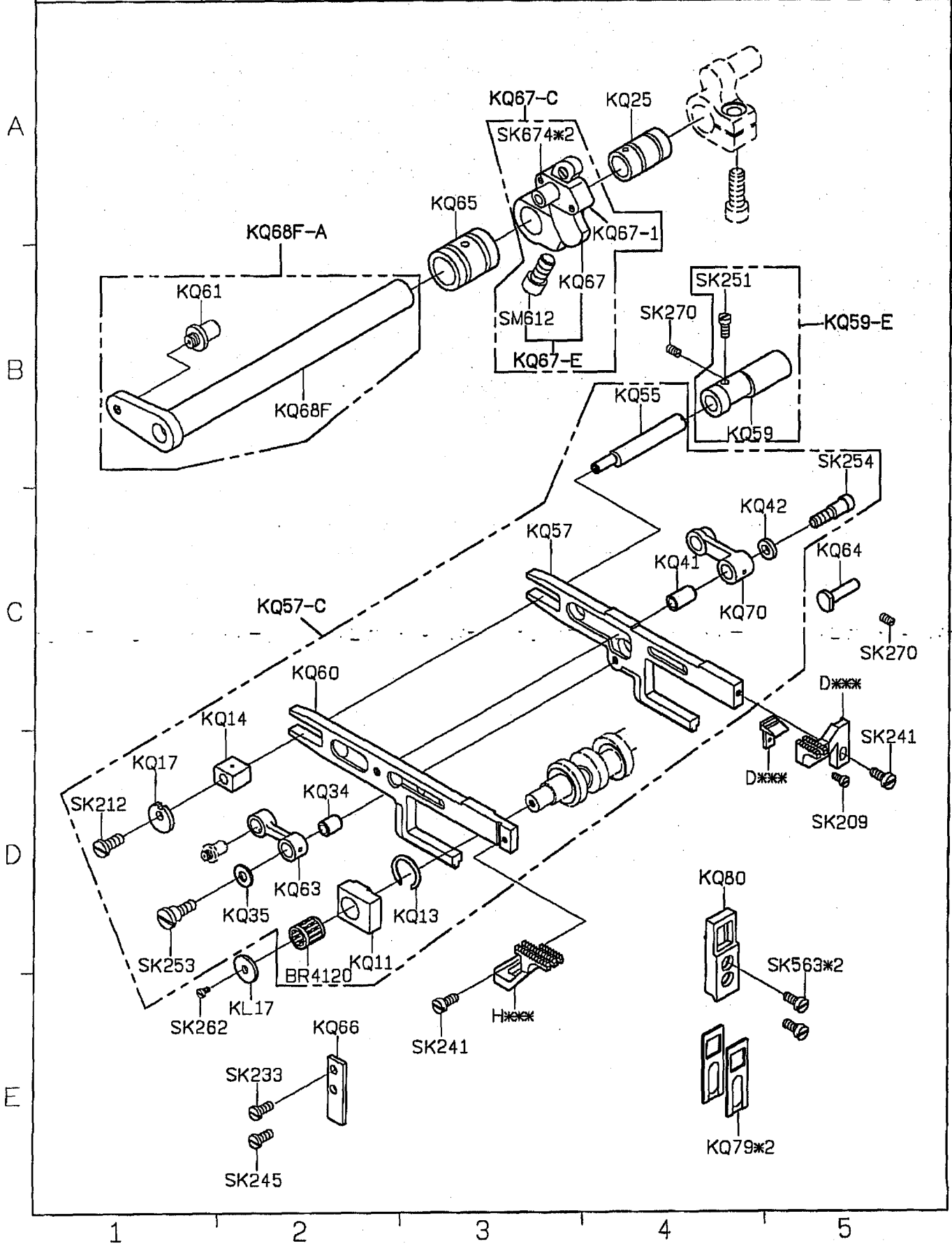
1/1

Date

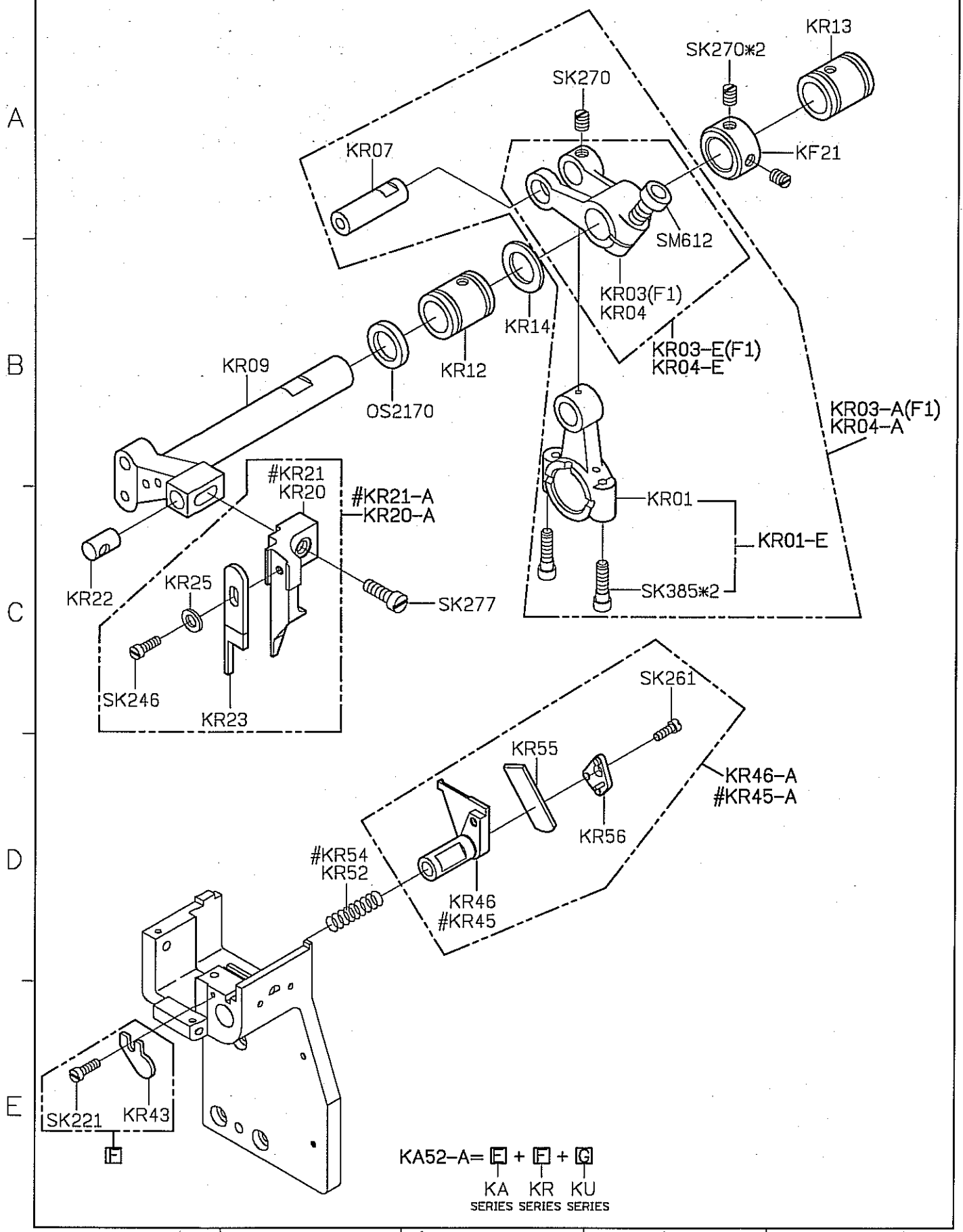
2013/08/10



SIRUBA PARTS LIST	Series	Parts Group	Subclass / Remark	Page
	700FS	KQ		1/1
				Date
				2013/08/10

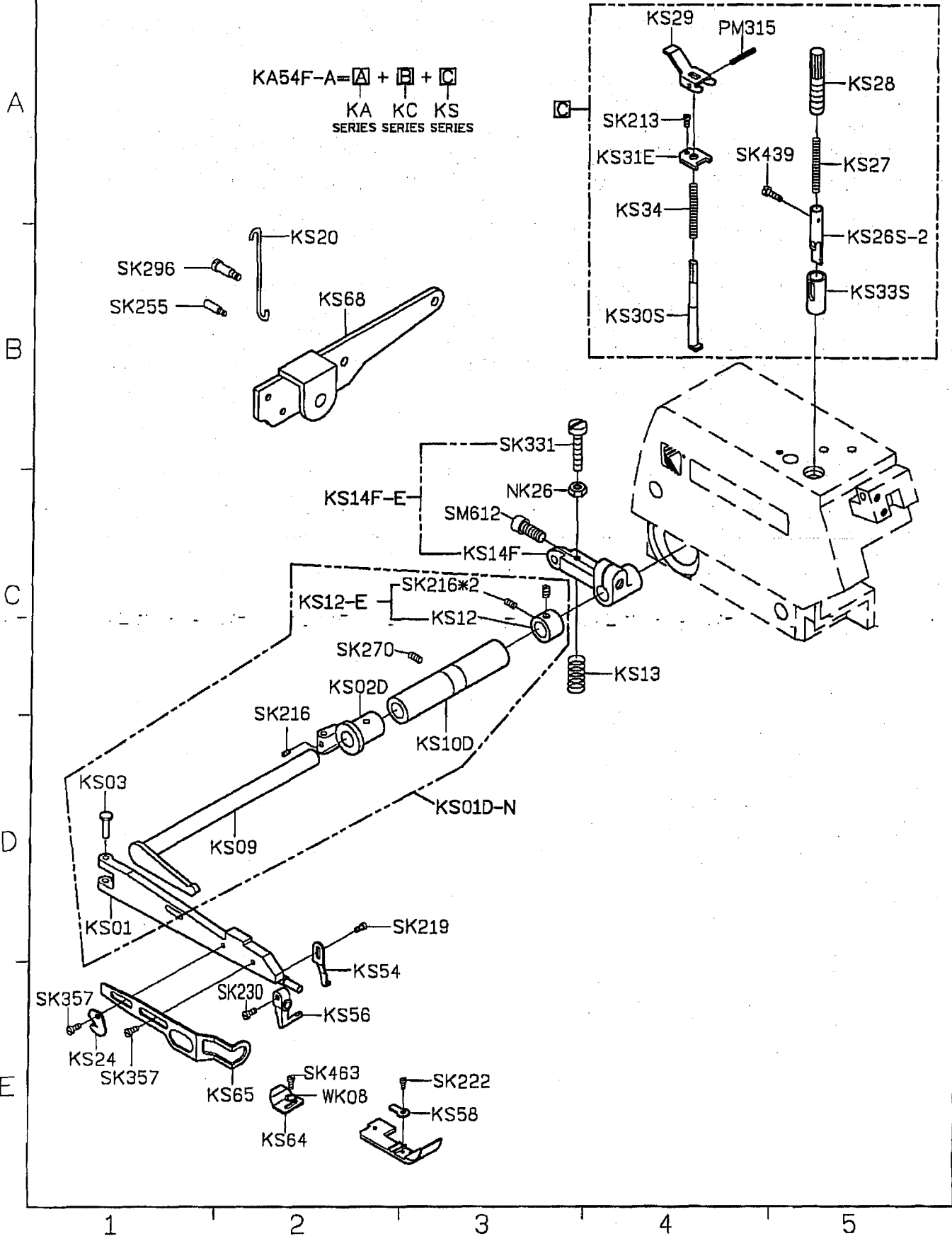


SIRUBA PARTS LIST	Series <b>700FS</b>	Parts Group <b>KR</b>	Subclass / Remark #:Use For M2-28	Page 1/1 Date 2014/02/26
----------------------	------------------------	--------------------------	--------------------------------------	-----------------------------------

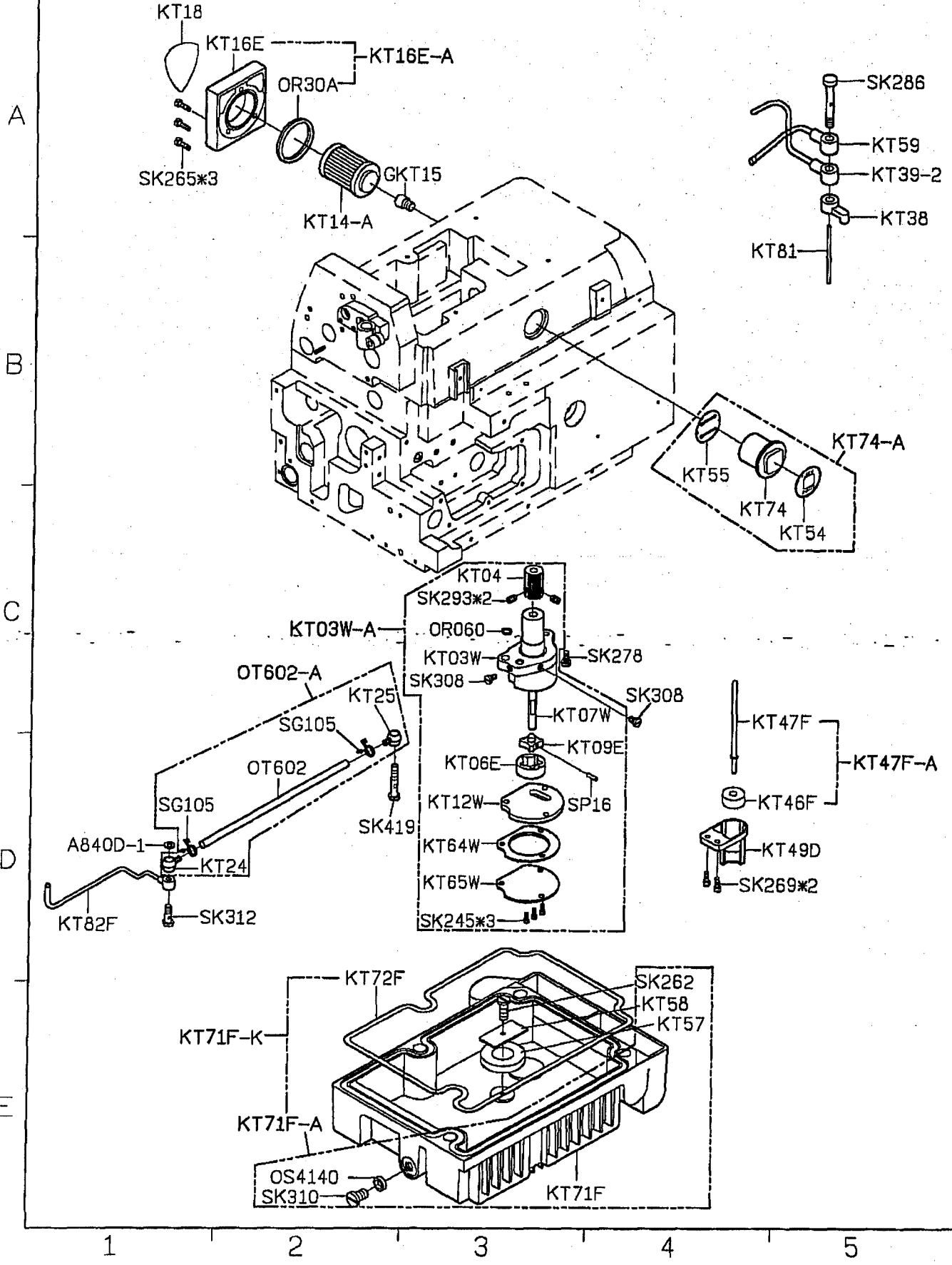


1                      2                      3                      4                      5

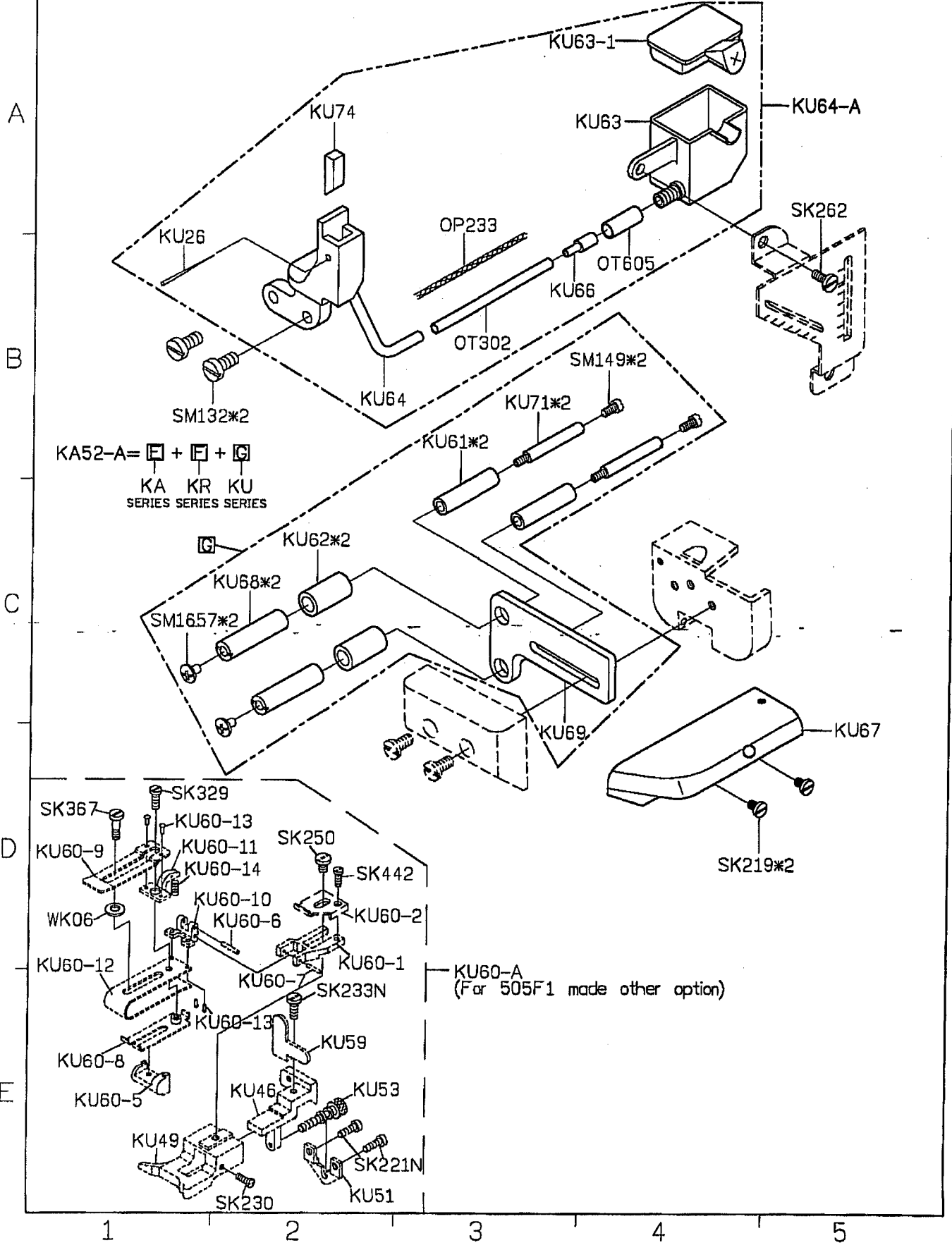
SIRUBA PARTS LIST	Series	Parts Group	Subclass / Remark	Page
	700FS	KS		1/1
				Date
				2013/08/10



SIRUBA PARTS LIST	Series	Parts Group	Subclass / Remark	Page
	700FS	KT		1/1
				Date
				2013/08/10



SIRUBA PARTS LIST	Series	Parts Group	Subclass / Remark	Page
	700FS	KU		1/1
				Date
				2013/08/10





SIRUBA PARTS LIST	Series	Parts Group	Subclass / Remark	Page
	700FS	KW		1/2
				Date
				2013/08/10

KW40E-3

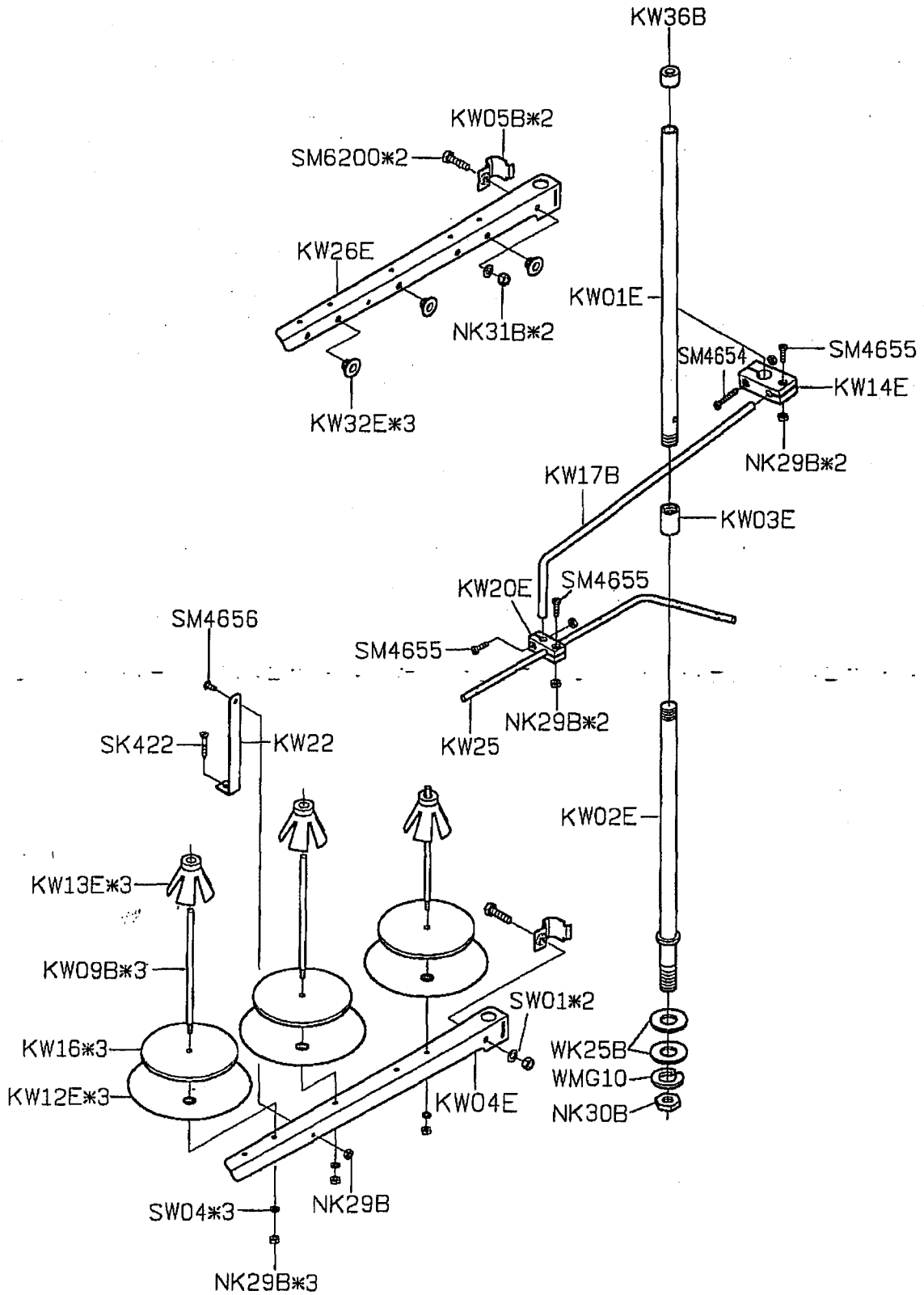
A

B

C

D

E



1

2

3

4

5

SIRUBA PARTS LIST	Series	Parts Group	Subclass / Remark	Page
	700FS	KW		2/2
				Date
				2013/08/10

KW40E-4

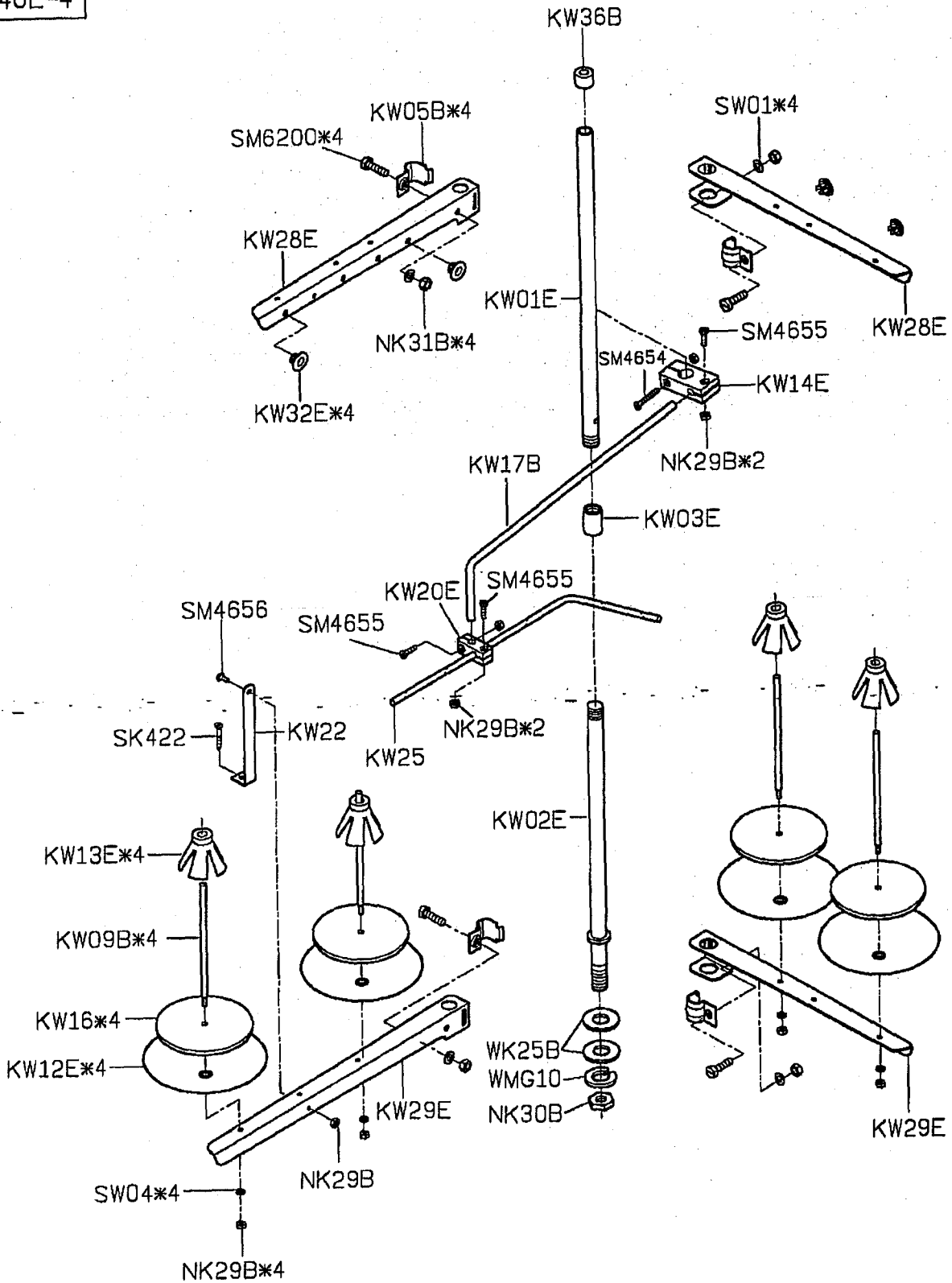
A

B

C

D

E



1

2

3

4

5

**SIRUBA**

PARTS LIST

Series

**700FS**

Parts Group

**KX**

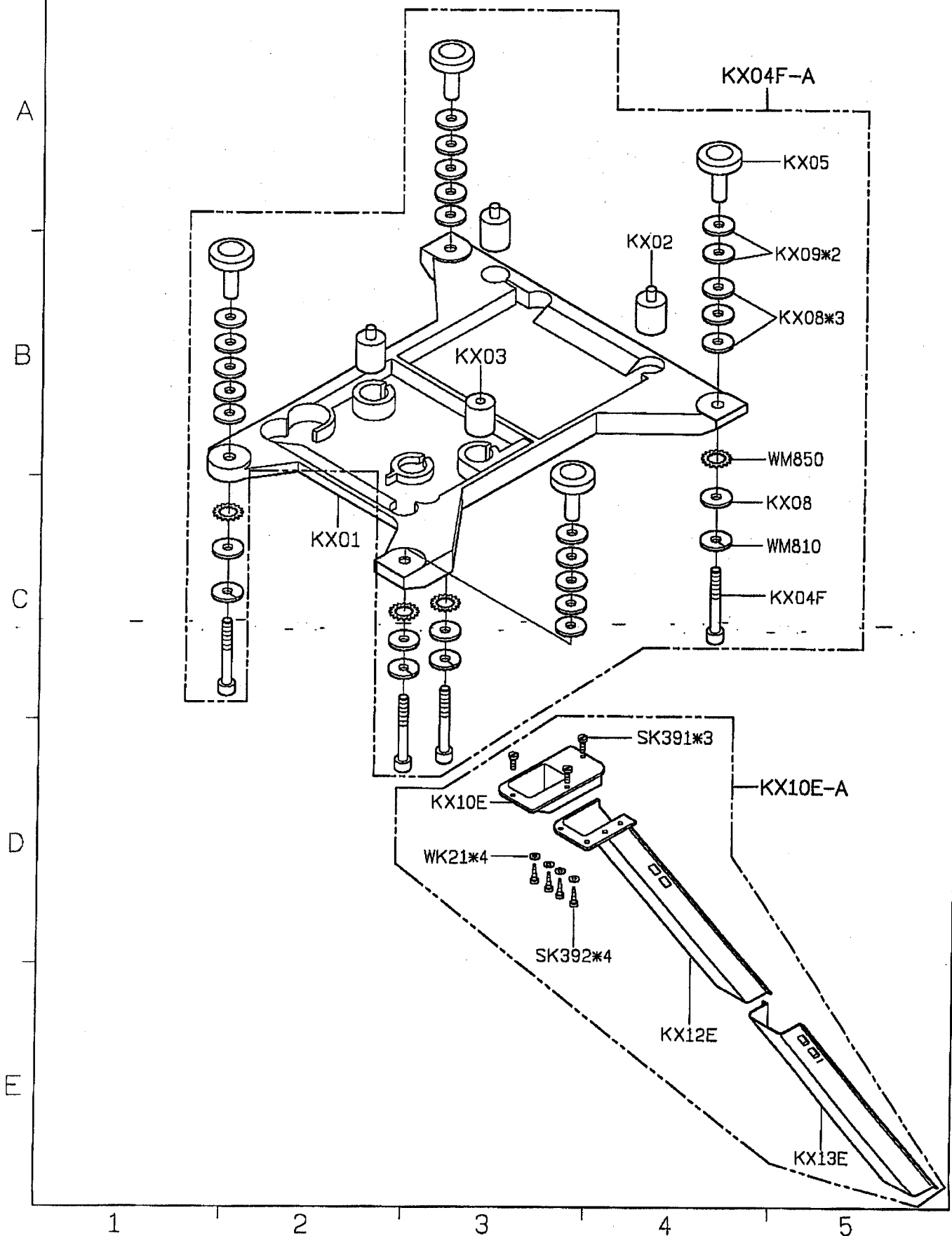
Subclass / Remark

Page

1/1

Date

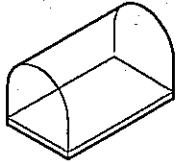
2013/08/10



<b>SIRUBA</b> PARTS LIST	Series	Parts Group	Subclass / Remark	Page
	<b>700FS</b>	<b>KY</b>		1/1
				Date
				2013/09/10

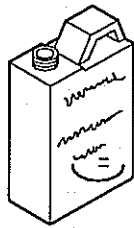
KY01-1

防塵罩



KY02-A

油罐



KY03

油壺



KY04S

漏斗



KY05

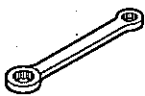
油壺



KY23-A

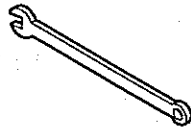
KY23

內六角扳手



KY09

開口扳手



KY10

六角扳手



KY10-A

KY11

六角扳手



KY12

六角扳手



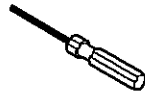
MY11

六角扳手



KY14

內六角螺絲起子



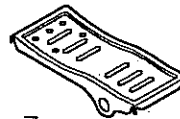
KY18

鑷子



KY20D-A

腳踏板



KY21-A/MY21

鉤子/鍊條



KY201

工具袋



KR55

下刀片



KT14-A

濾油器



KZ03

乾燥劑



針\*4



KZ08FS

零件圖



KZ13

使用說明書



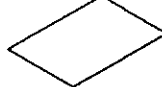
SK216

螺絲



KY30

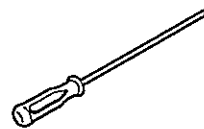
針板紙



LY33-A

LY33

一字起子



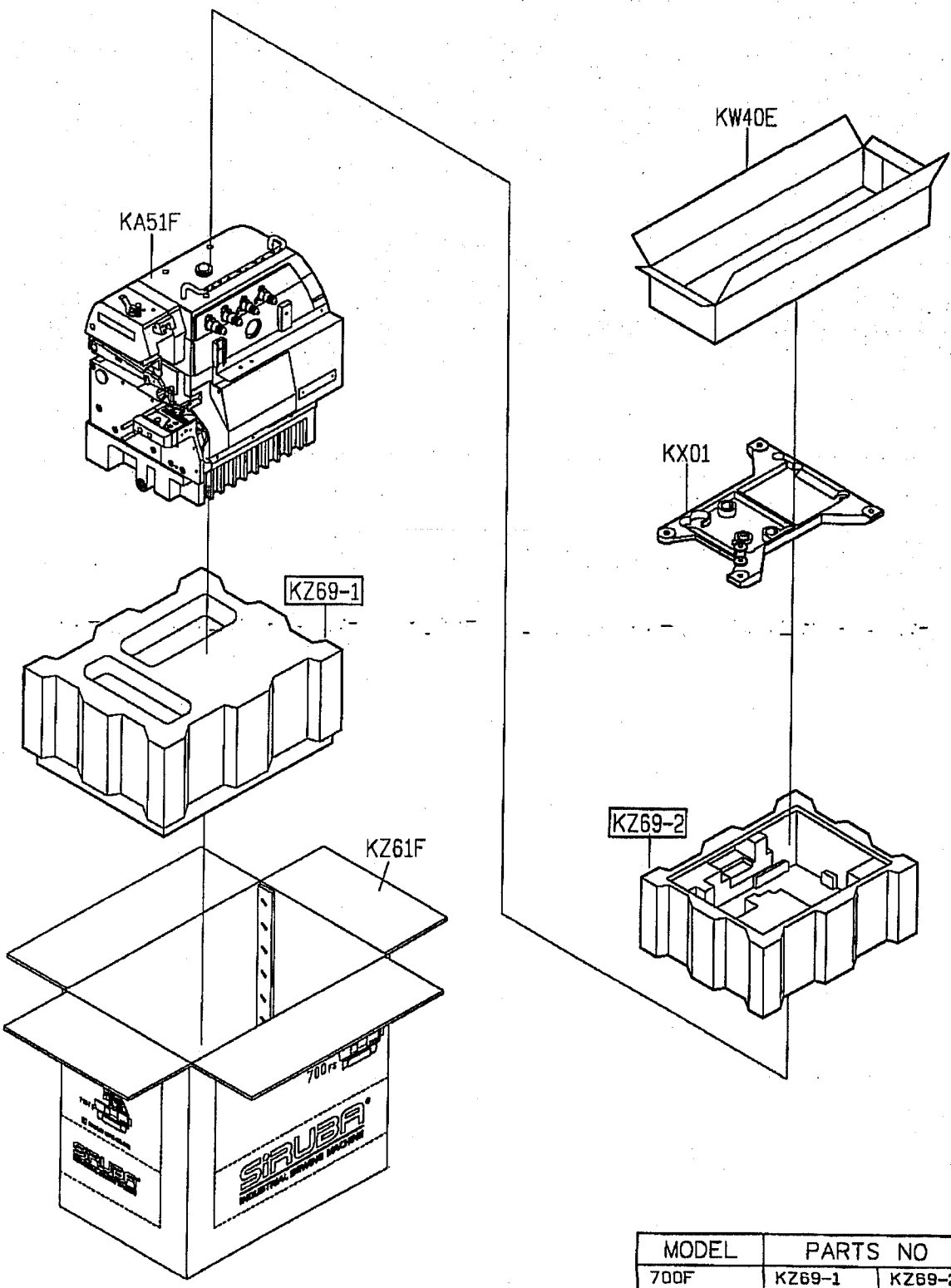
LY34

一字起子



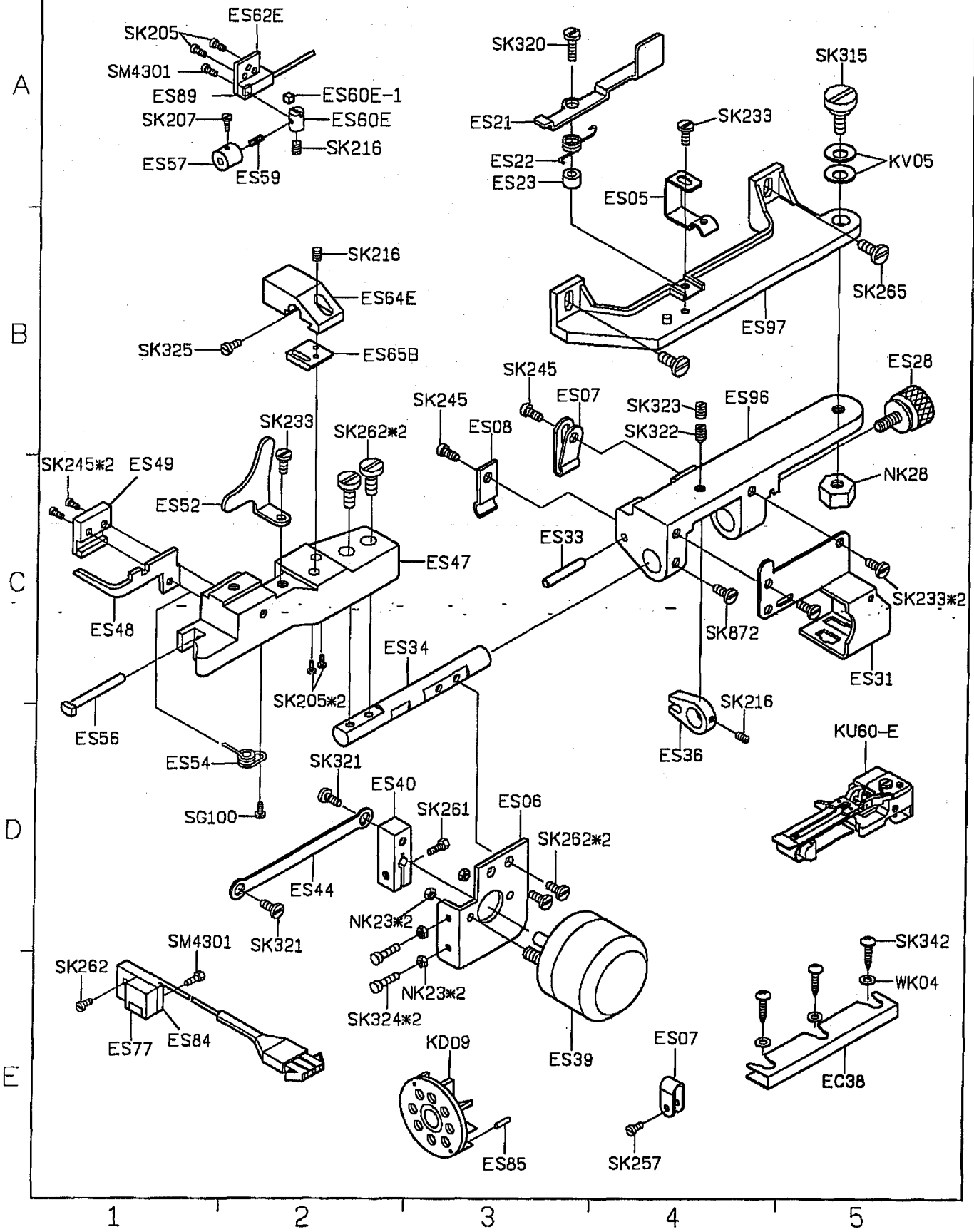
<b>SIRUBA</b> PARTS LIST	Series	Parts Group	Subclass / Remark	Page
	<b>700FS</b>	<b>KZ</b>		1/1
				Date
				2013/08/10

A  
B  
C  
D  
E



MODEL	PARTS NO	
700F	KZ69-1	KZ69-2
700FS-LFC	KZ51F	KZ36E

1                      2                      3                      4                      5



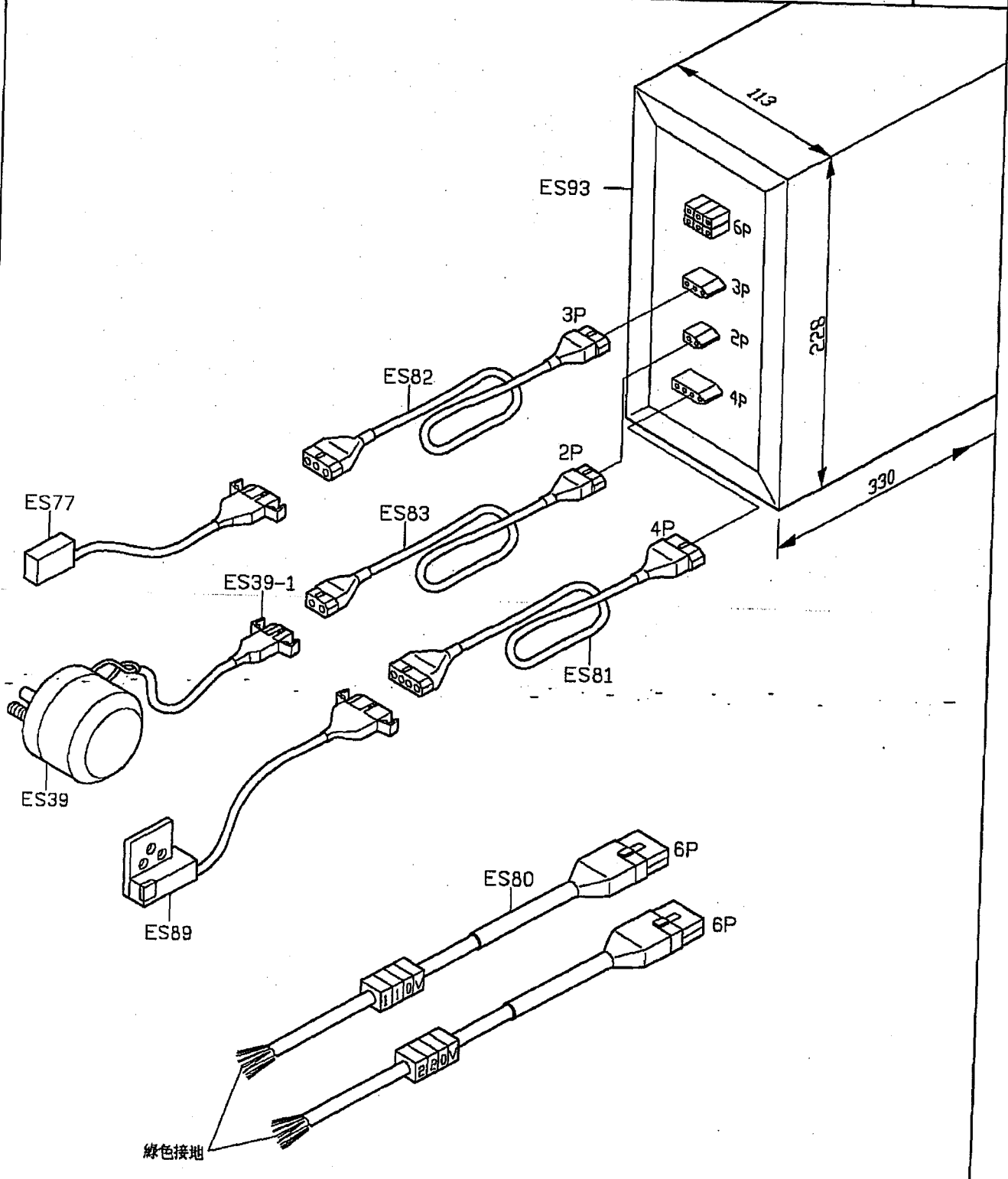
A

B

C

D

E



※ 內銷附上110V及220V各一條  
 外銷已指定地區則只附上一條110V或220V

1

2

3

4

5

**SIRUBA**

PARTS LIST

Series

**700FS**

Parts Group

**GL**

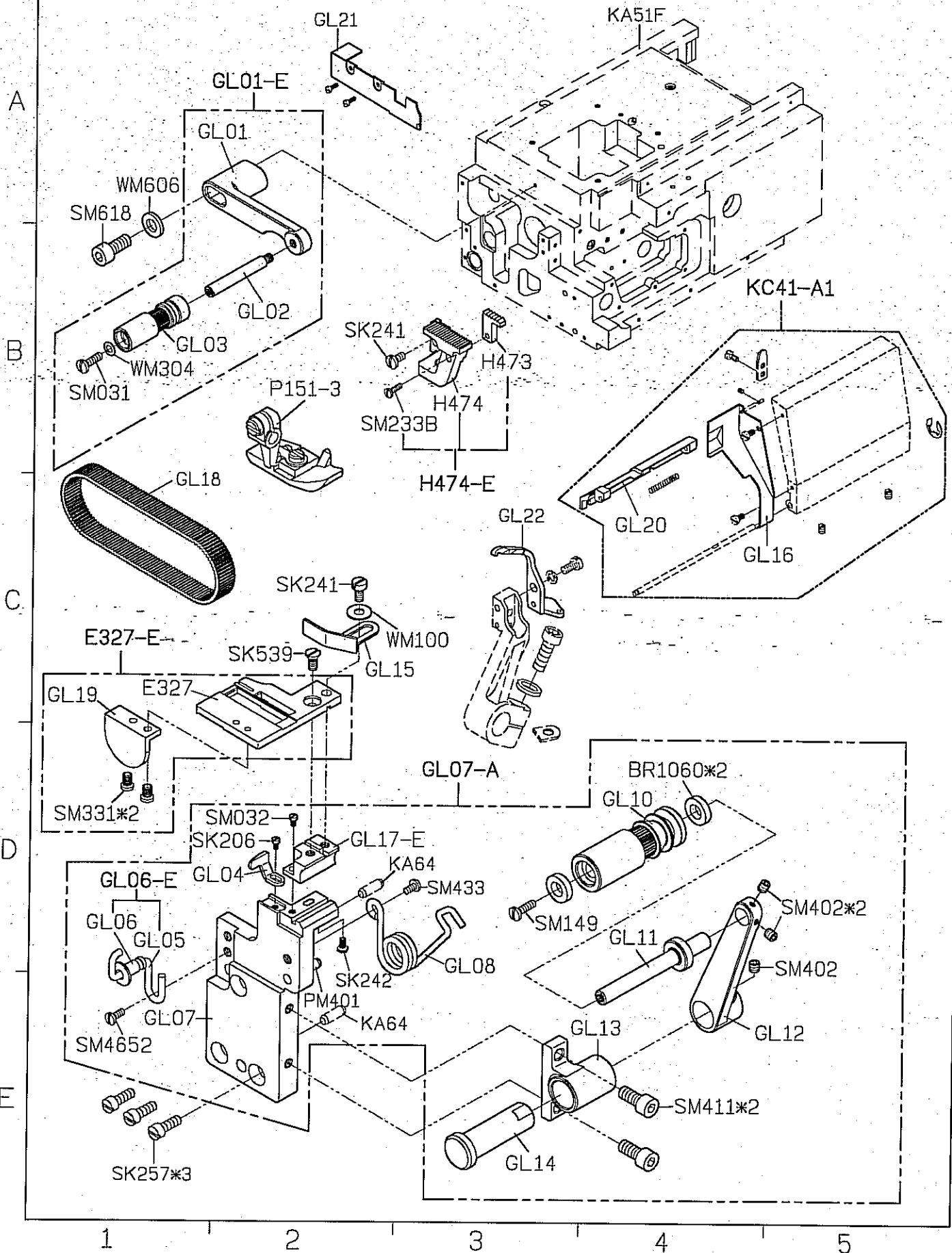
Subclass / Remark

Page

1/1

Date

2013/11/12





**SIRUBA**

PARTS LIST

Series

**700FS**

Parts Group

**LFA**

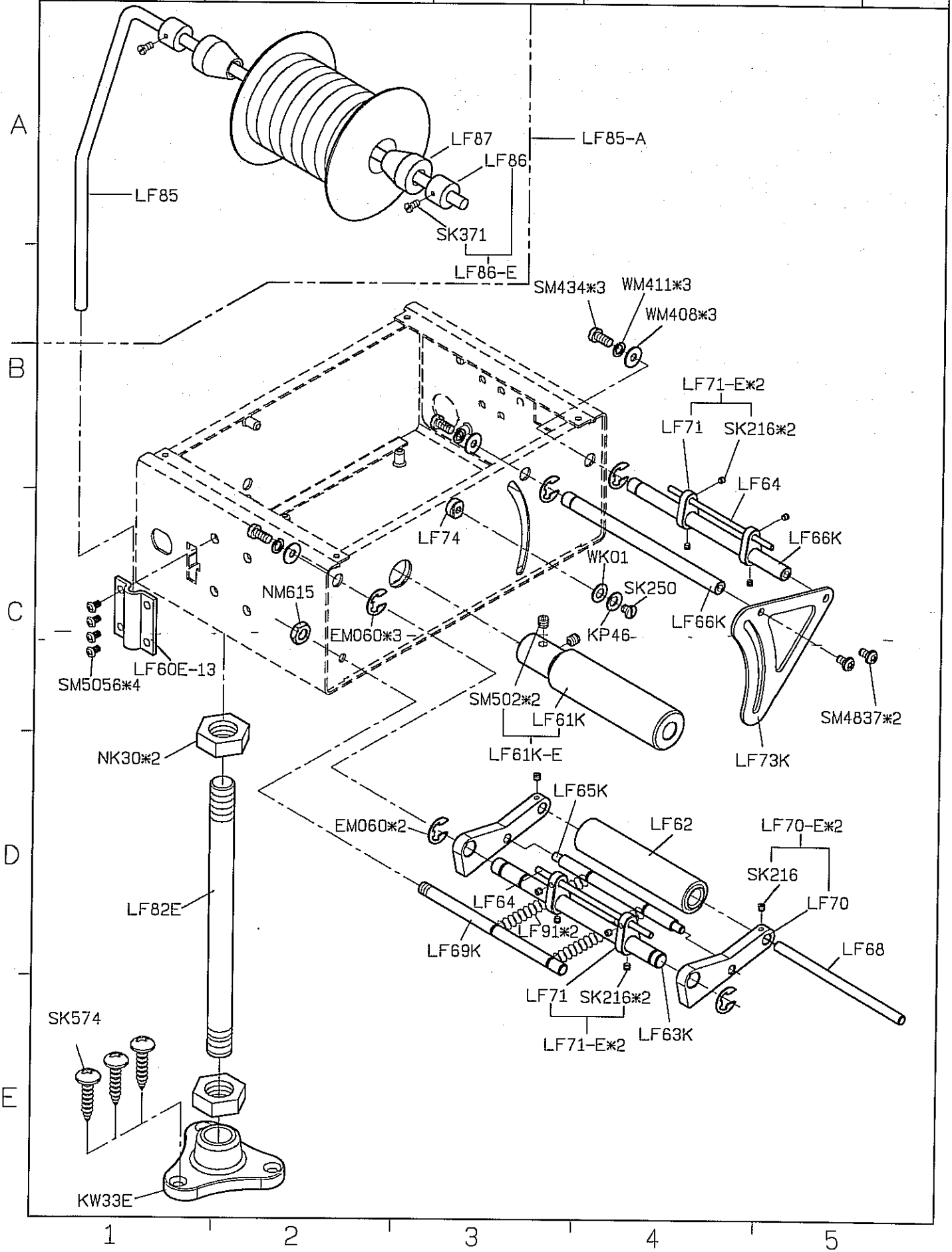
Subclass Remark

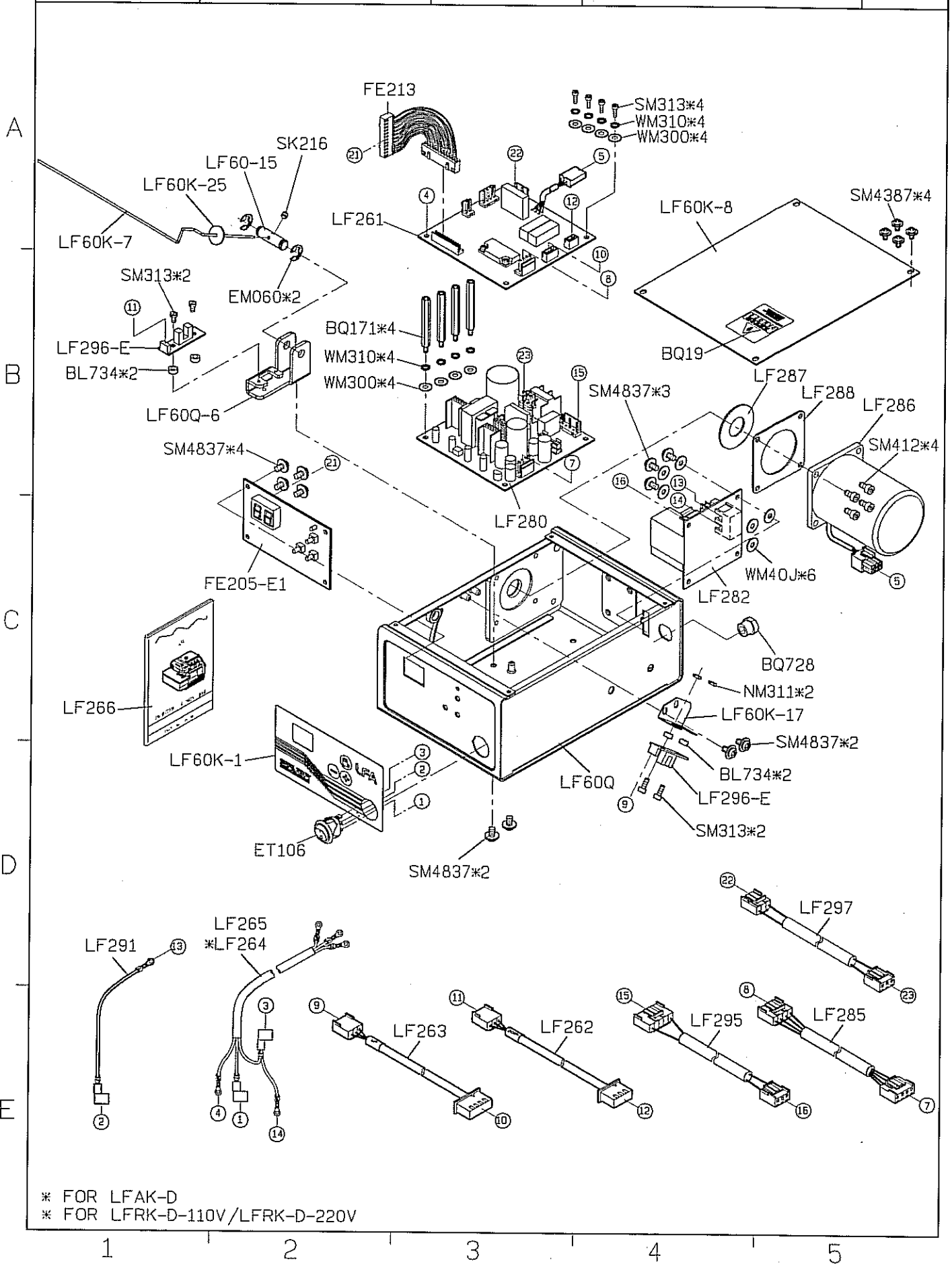
Page

1/3

Date

2013/09/10

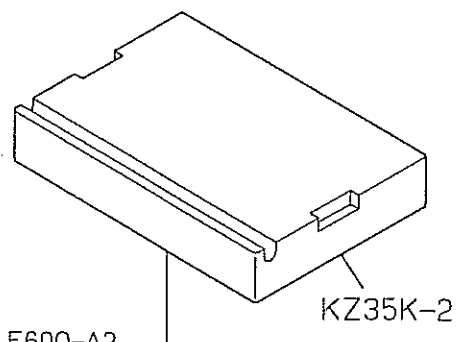




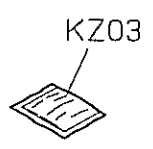
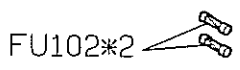
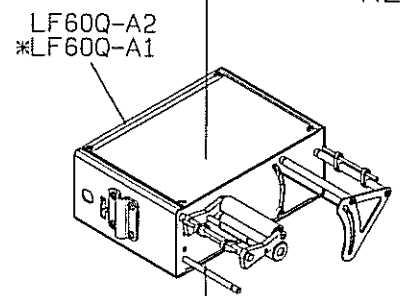
\* FOR LFAK-D  
 \* FOR LFRK-D-110V/LFRK-D-220V

<b>SIRUBA</b> PARTS LIST	Series	Parts Group	Subclass Remark	Page
	<b>700FS</b>	<b>LFA</b>		3/3
				Date
				2012/11/14

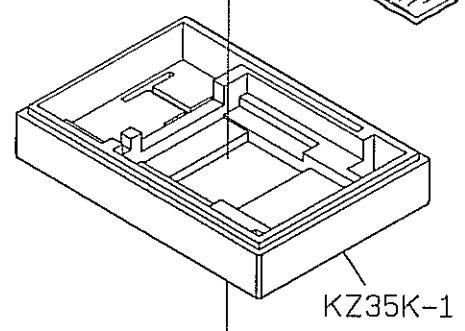
A



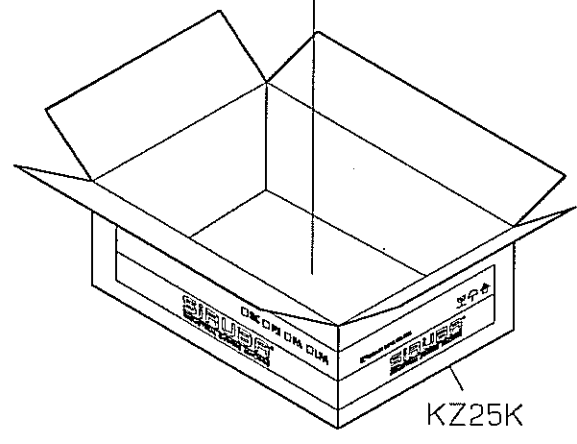
B



C



D



E

1

2

3

4

5

SIRUBA

PARTS LIST

Series

700FS

Parts Group

LFC-2S

Subclass / Remark

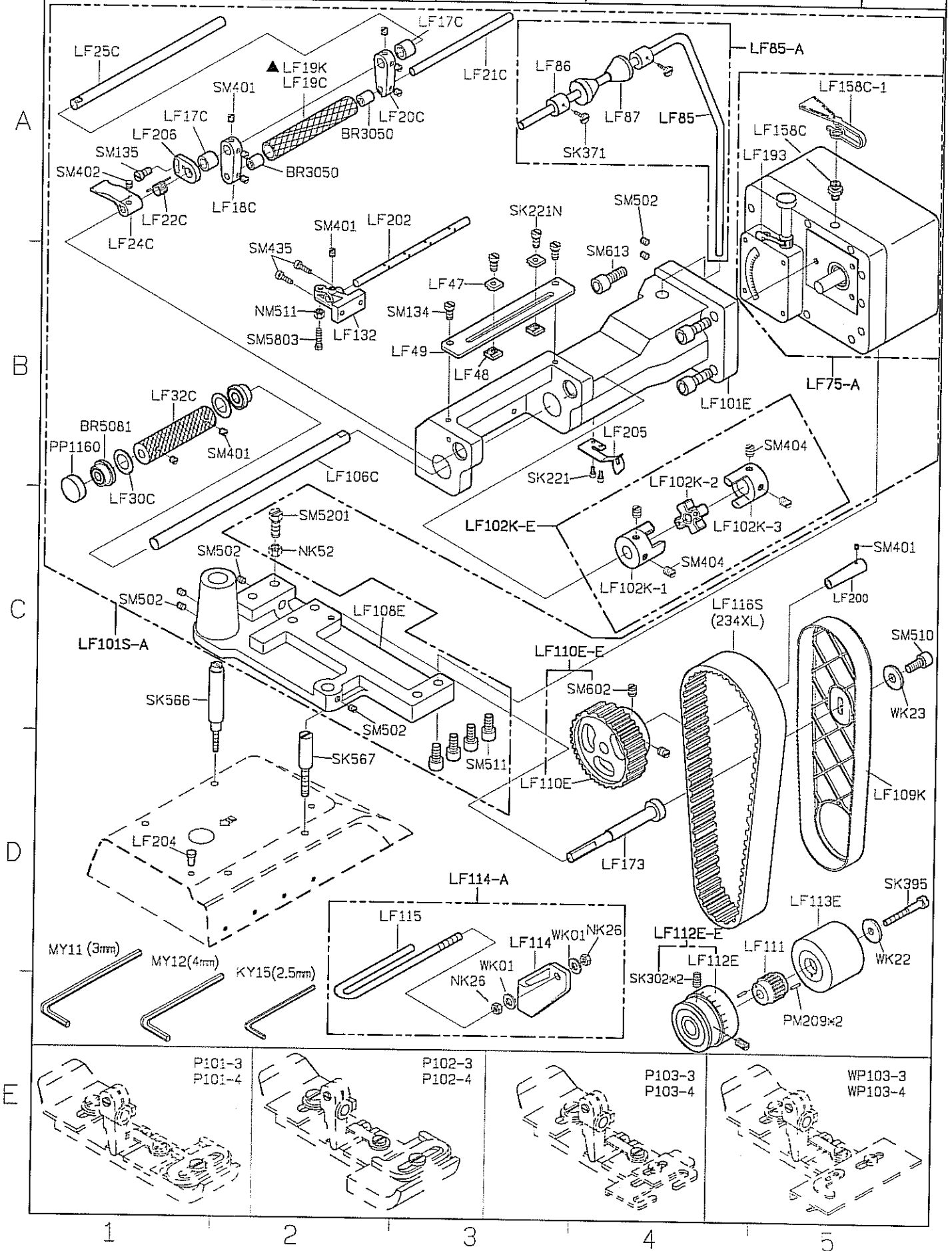
▲ 橡膠輪適用薄鬆緊帶  
Rubber puller for thin elastic tape

Page

1/1

Date

2013/09/11



**SIRUBA**

PARTS LIST

Series

**700FS**

Parts Group

**LF-D1**

Subclass / Remark

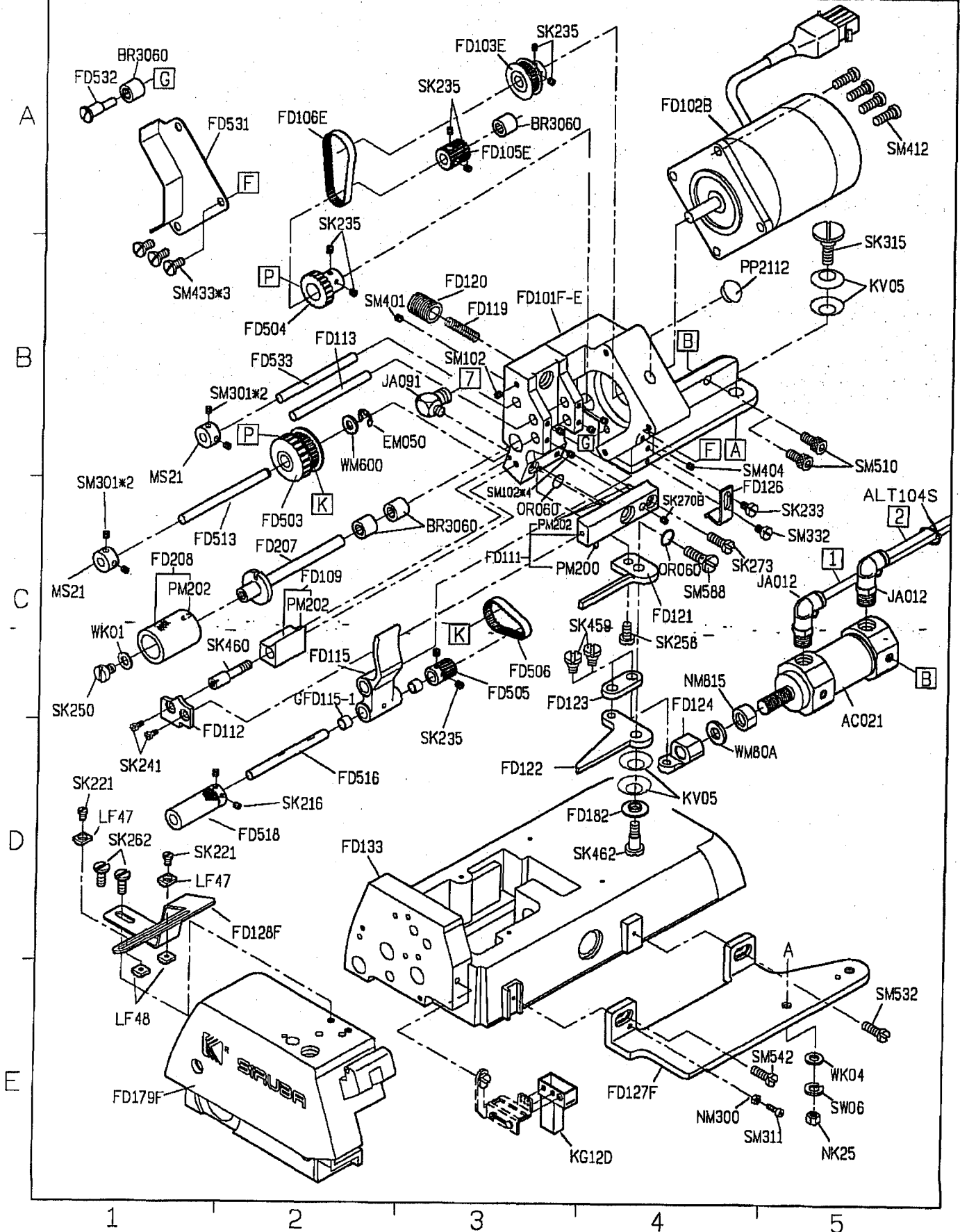
For  
Short Wheel  
UNDER 5/8"

Page

1/7

Date

2013/08/10



**SIRUBA**

PARTS LIST

Series

**700FS LF-D1**

Parts Group

Subclass / Remark

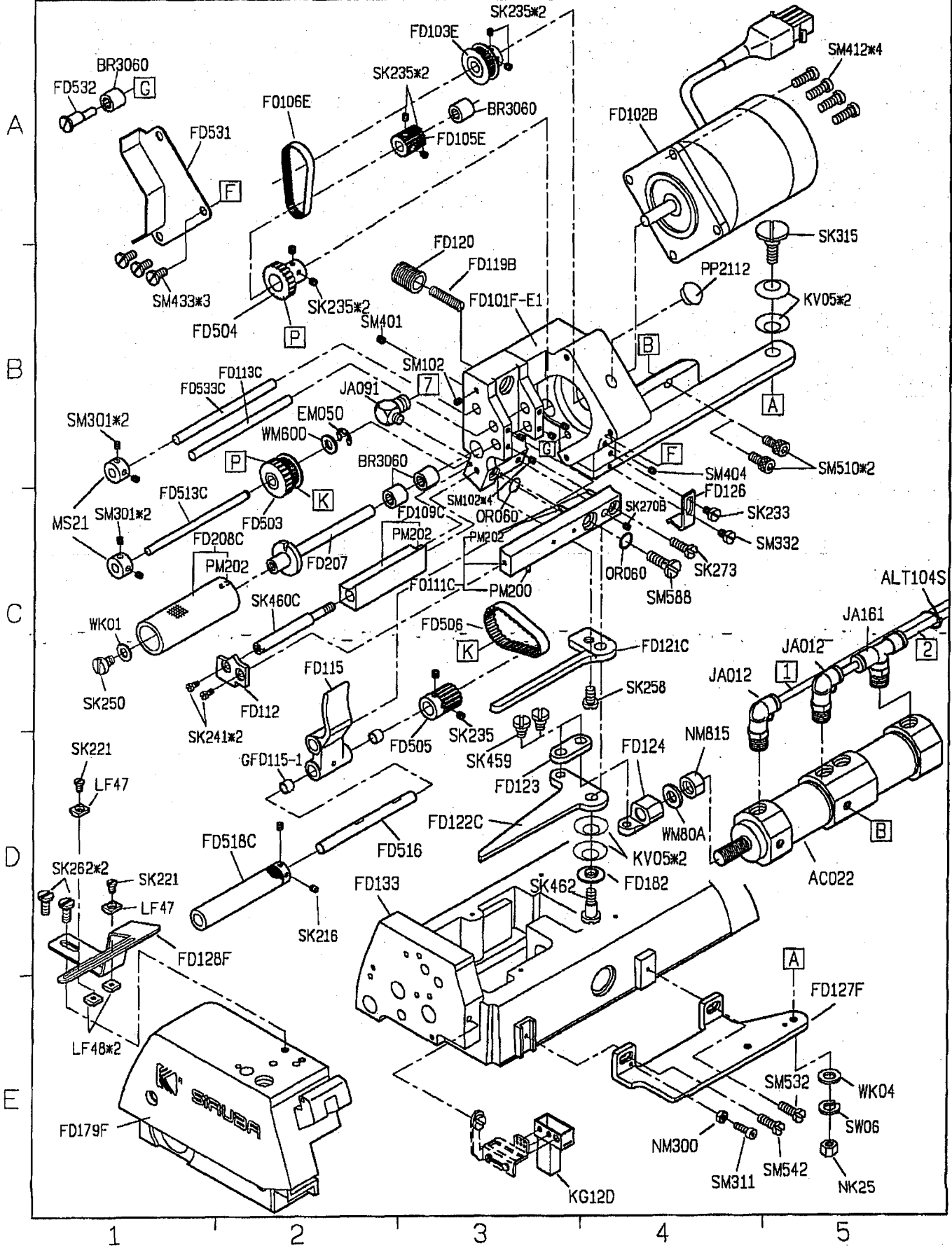
For  
Long Wheel  
5/8"~2"

Page

2/7

Date

2013/08/10



**SIRUBA**

PARTS LIST

Series

**700FS**

Parts Group

**LF-D1**

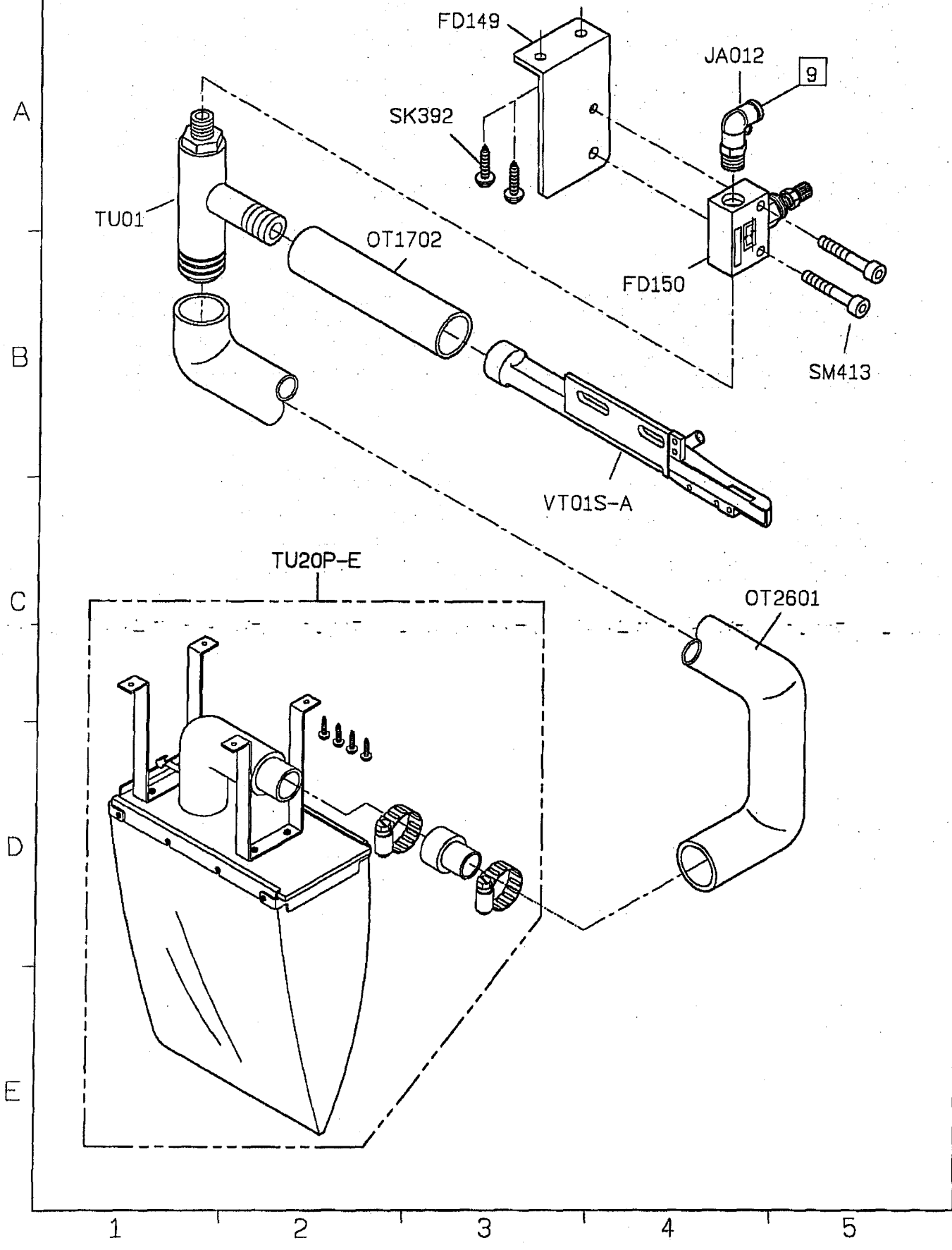
Subclass / Remark

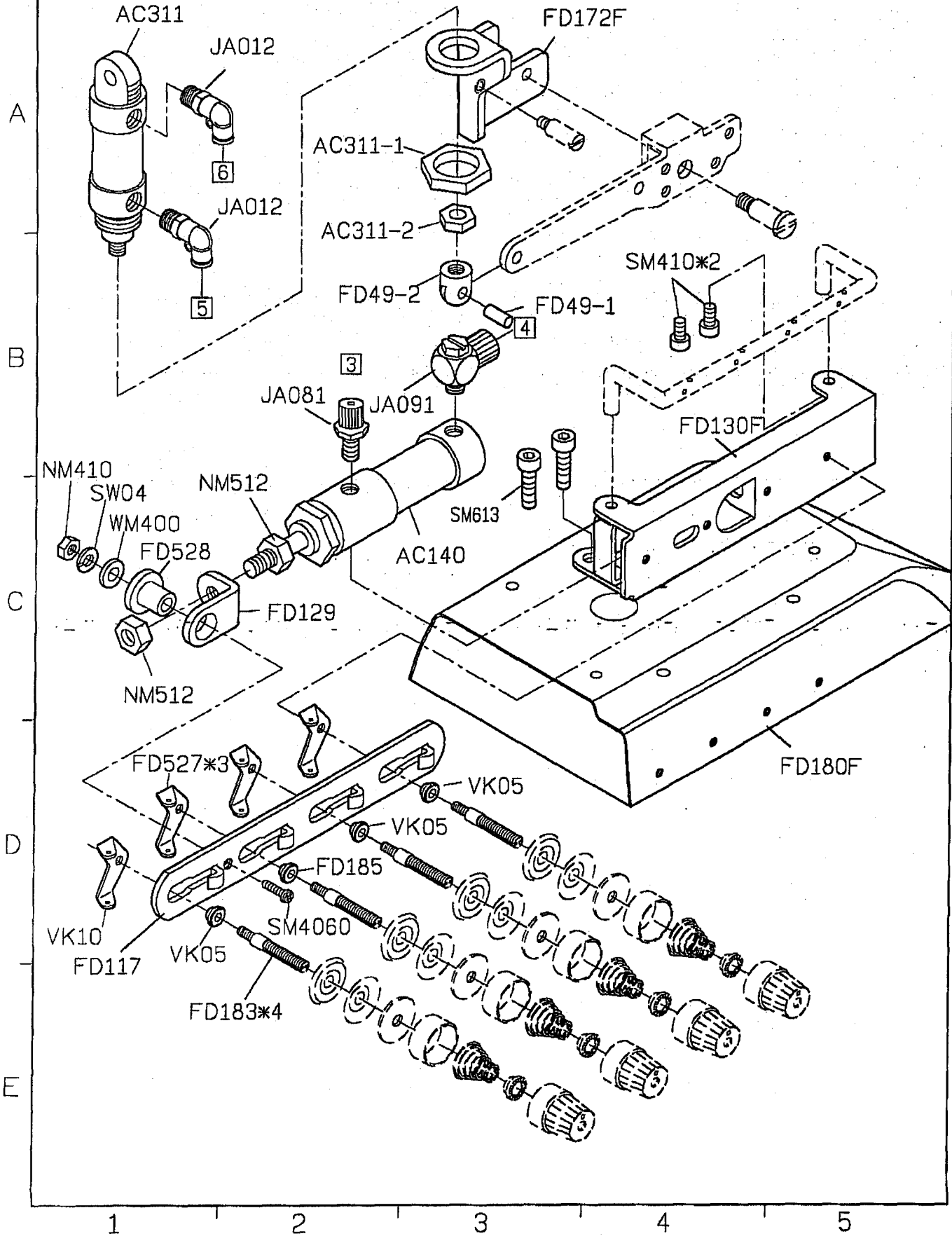
Page

3/7

Date

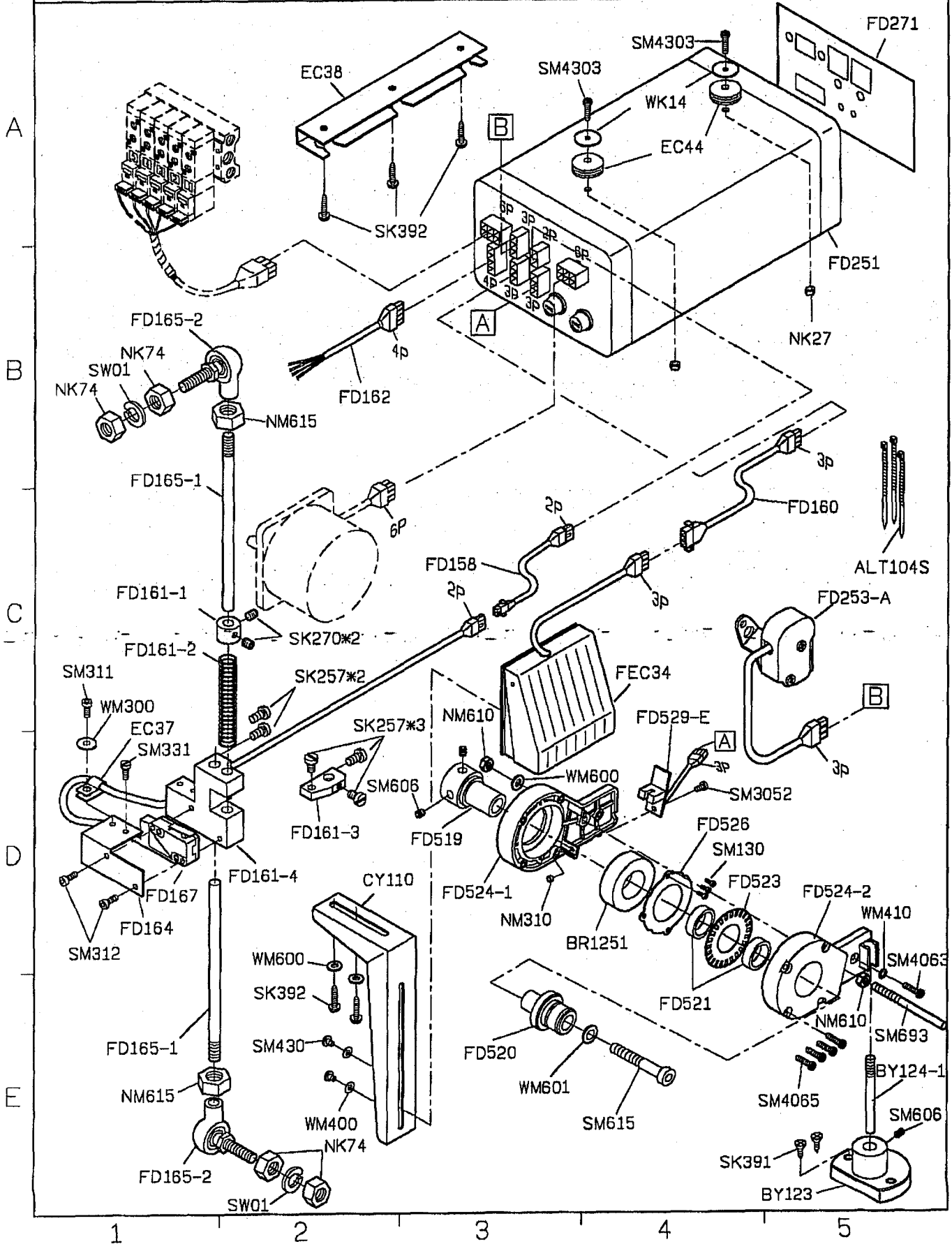
2013/08/10







SIRUBA PARTS LIST	Series	Parts Group	Subclass / Remark	Page
	700FS	LF-D1		5/7
				Date
				2013/08/10



<b>SIRUBA</b> PARTS LIST	Series	Parts Group	Subclass / Remark	Page
	<b>700FS</b>	<b>LF-D1</b>		6/7
				Date
				2013/08/10

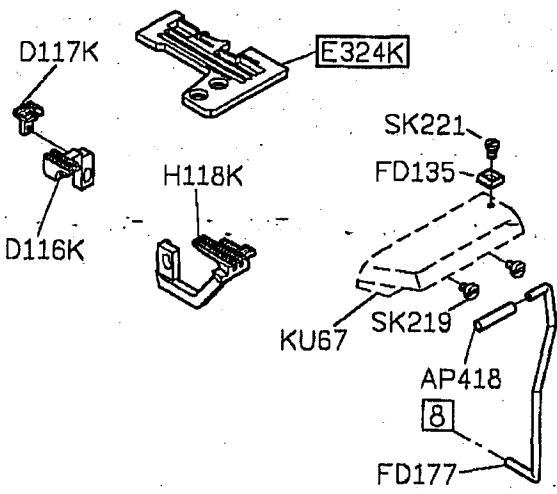
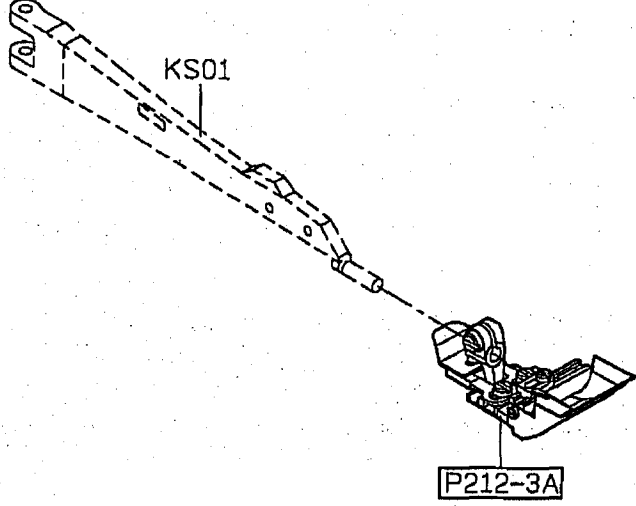
A

B

C

D

E



線別種類	針板	押具組	送料具	適用範圍 (鬆緊帶寬)
737	E324K	P212-A	D116K / H118K	1/8"~17/32"
		P212-3A	D116K / H118K	3/8"~57/64"
		P212-5A	D116K / H118K	3/4"~2 9/32"
747	E434K	P212-2A	D116K / H118K	1/8"~17/32"
		P212-4A	D116K / H118K	3/8"~57/64"
		P212-6A	D116K / H118K	3/4"~2 9/32"

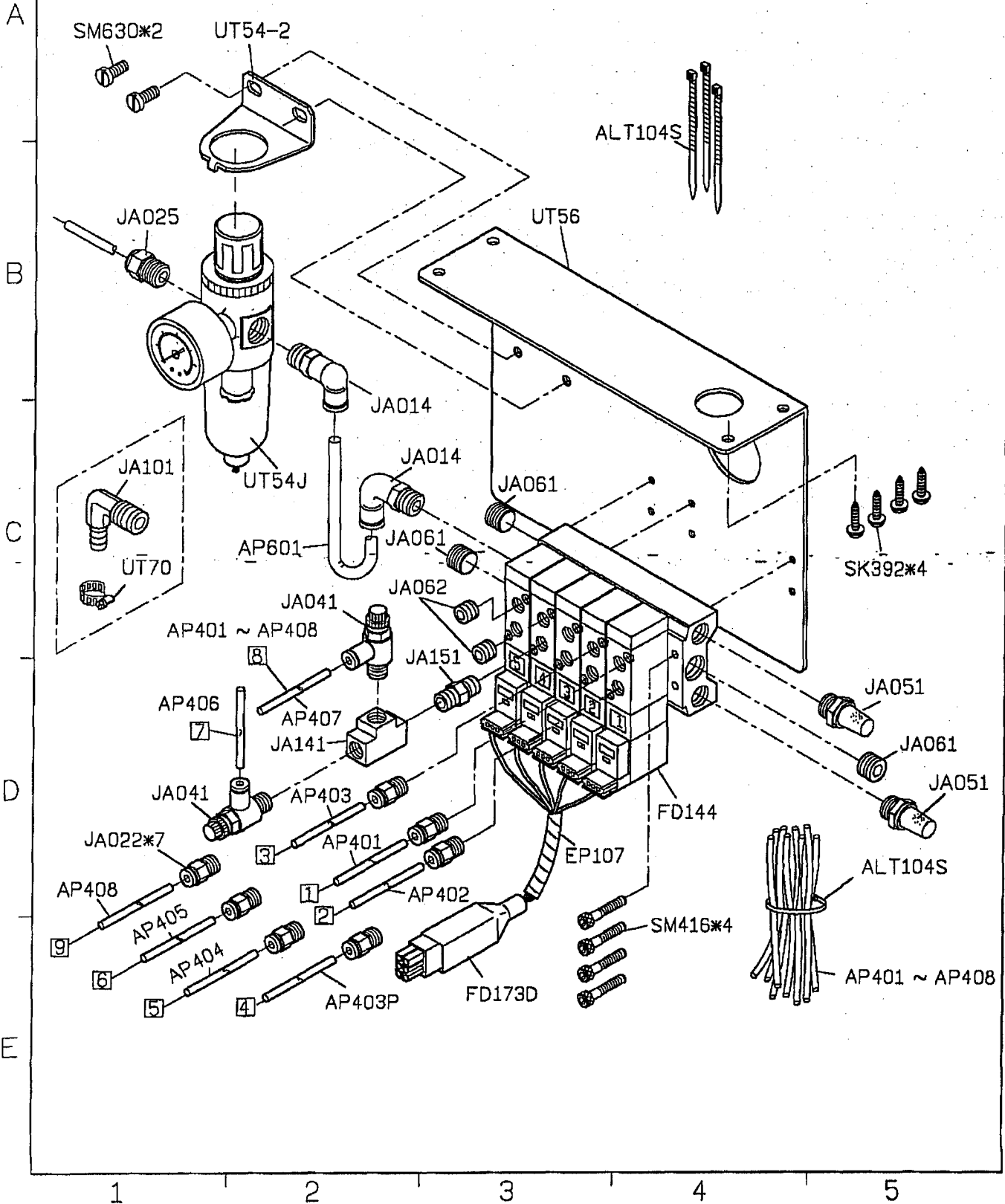
1

2

3

4

5



**SIRUBA**

PARTS LIST

Series

**700FS**

Parts Group

**LF-D2**

Subclass / Remark

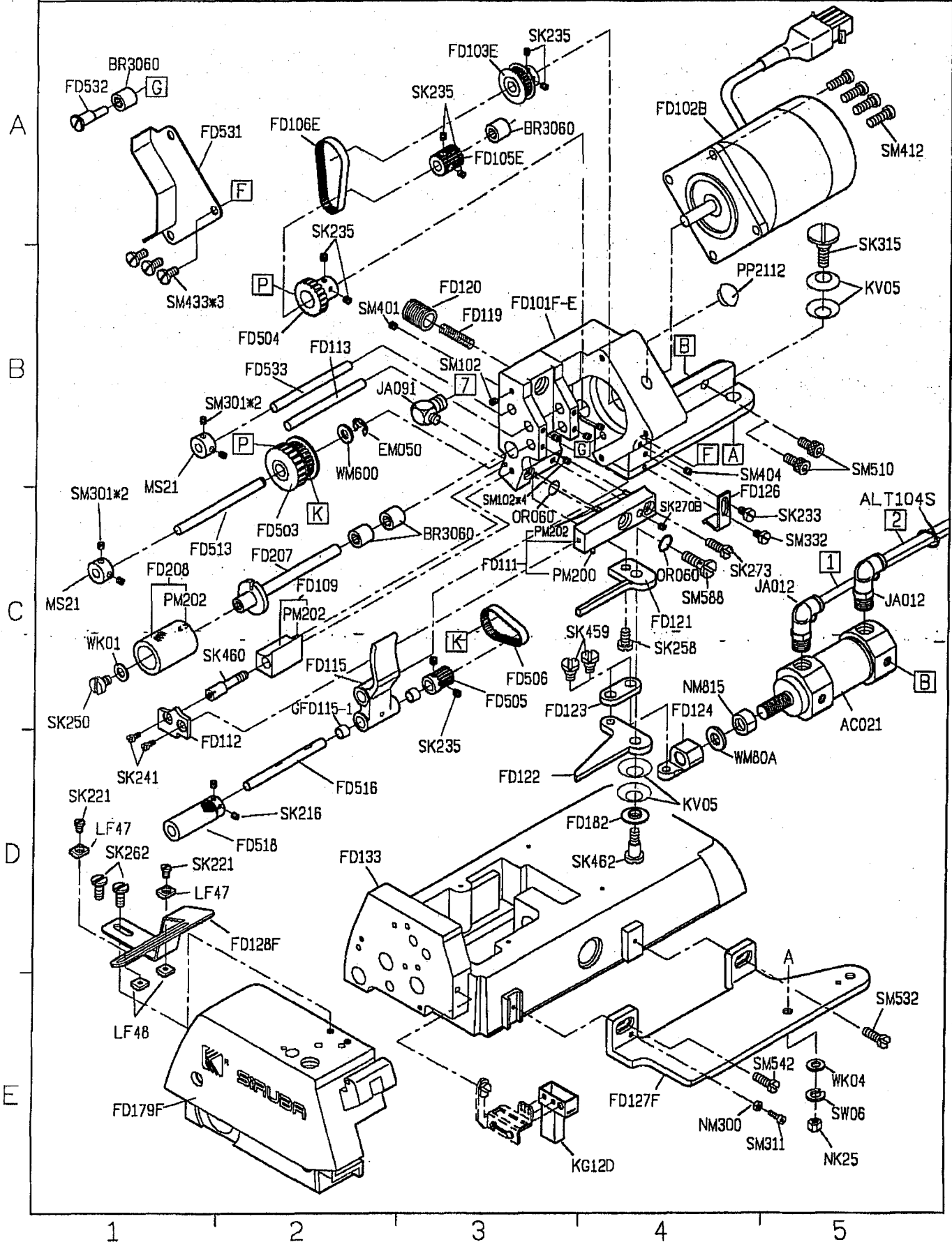
For  
Short Wheel  
UNDER 5/8"

Page

1/8

Date

2013/08/10



**SIRUBA**

PARTS LIST

Series

**700FS**

Parts Group

**LF-D2**

Subclass / Remark

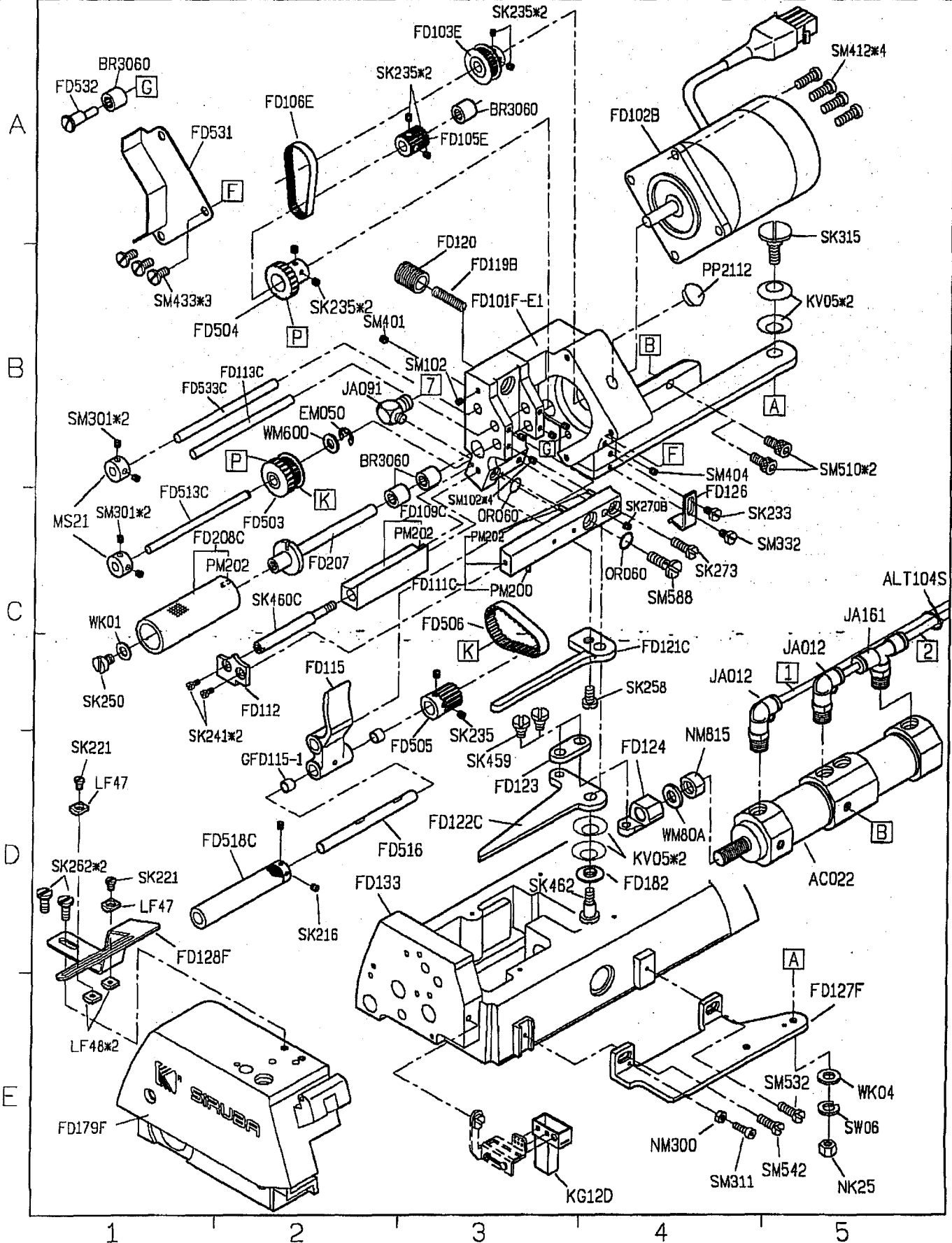
For  
Long Wheel  
5/8"~2"

Page

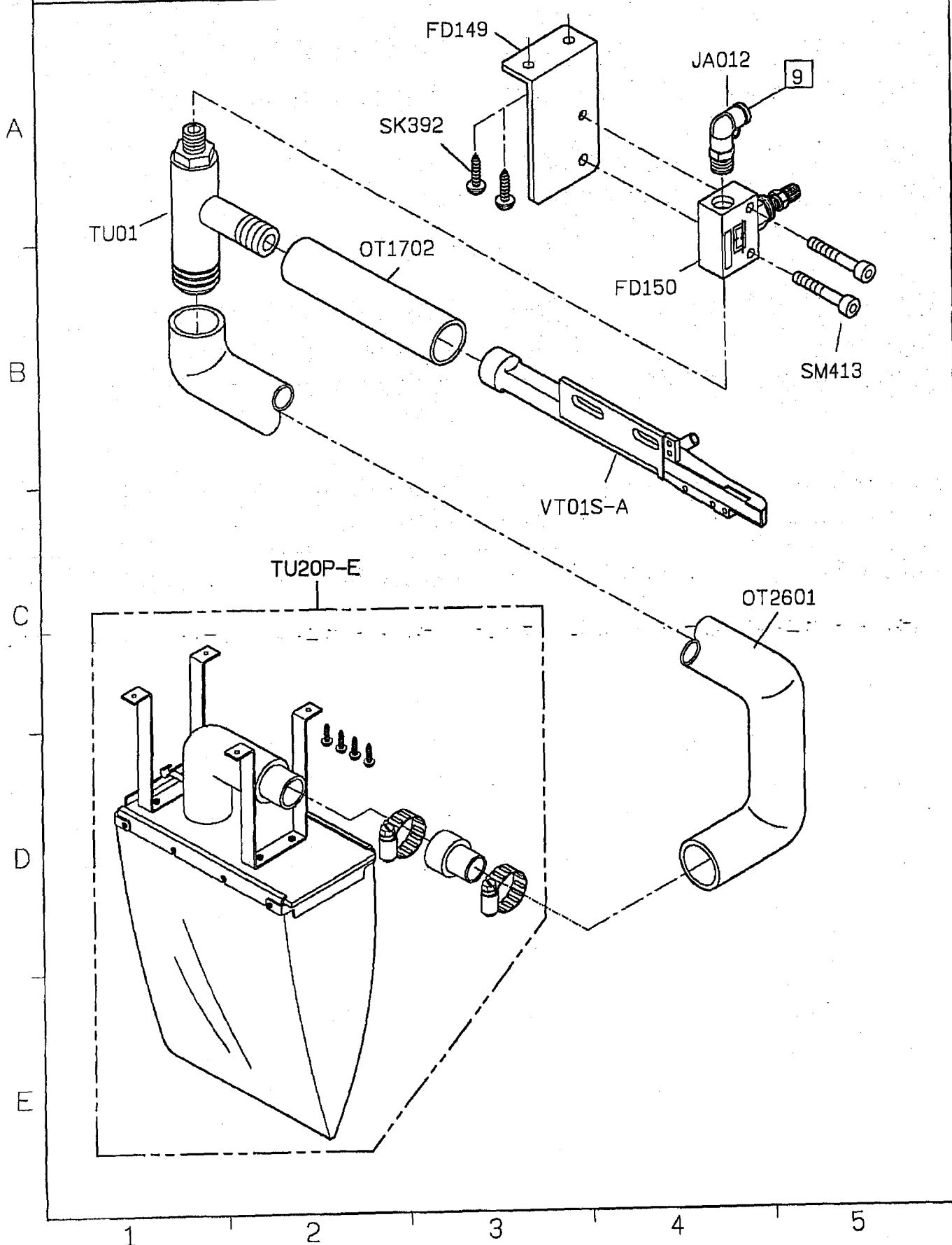
2/8

Date

2013/08/10



SIRUBA PARTS LIST	Series	Parts Group	Subclass / Remark	Page
	700FS	LF-D2		3/8
				Date
				2013/08/10



**SIRUBA**

PARTS LIST

Series

**700FS**

Parts Group

**LF-D2**

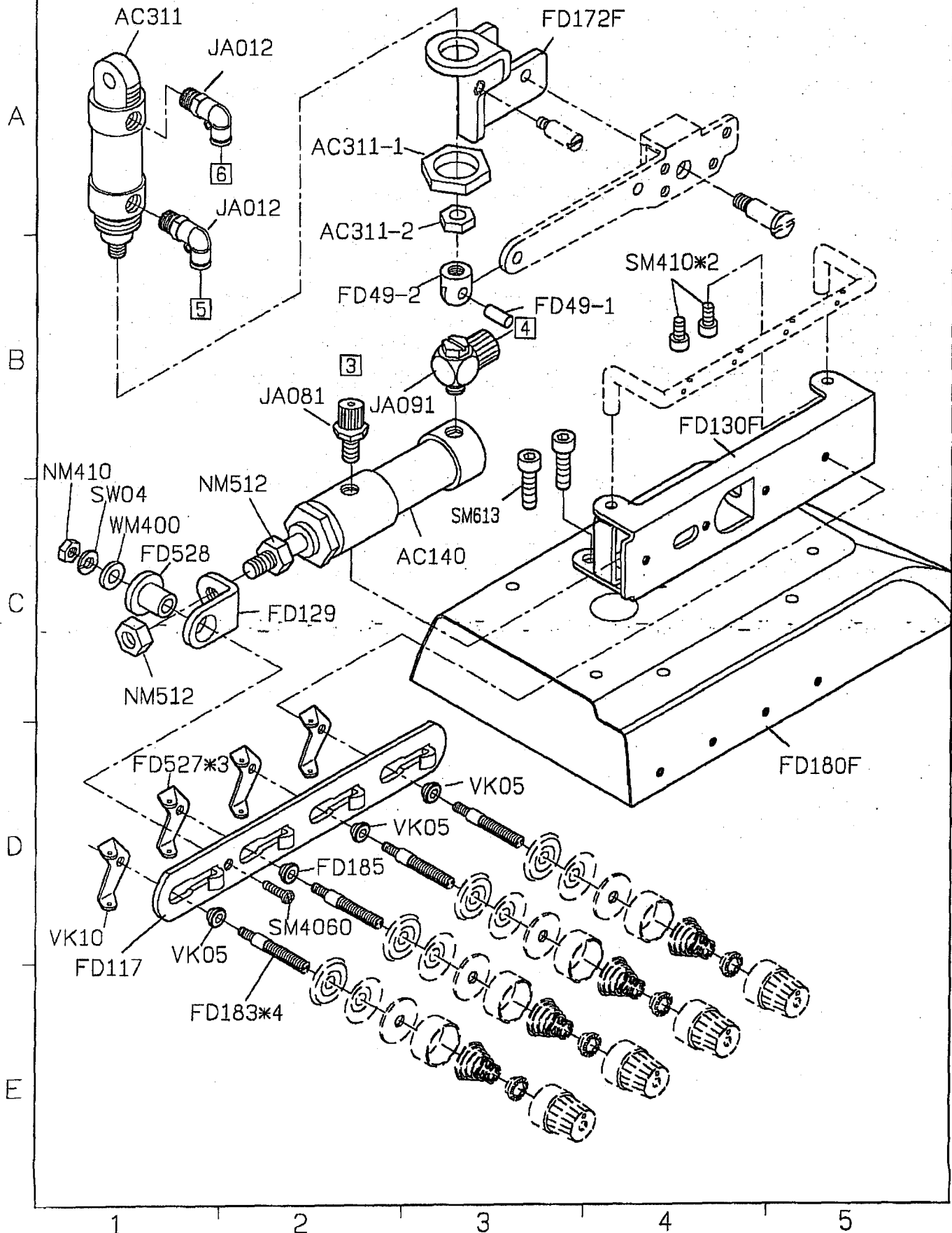
Subclass / Remark

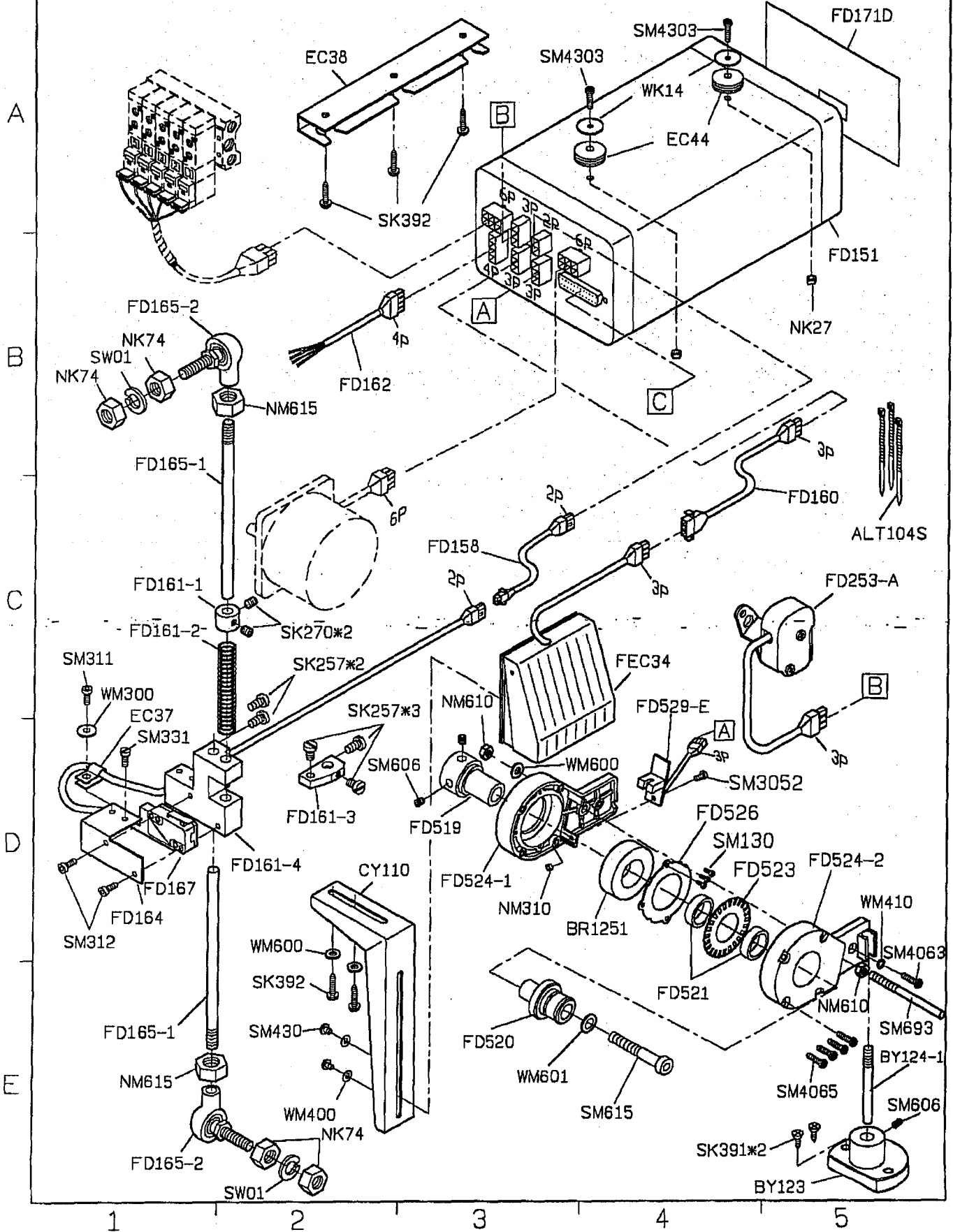
Page

4/8

Date

2013/08/10







<b>SIRUBA</b> PARTS LIST	Series	Parts Group	Subclass / Remark	Page
	<b>700FS</b>	<b>LF-D2</b>		6/8
				Date
				2013/08/10

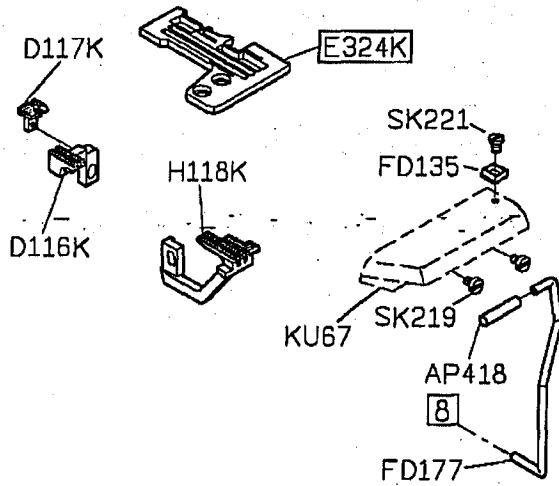
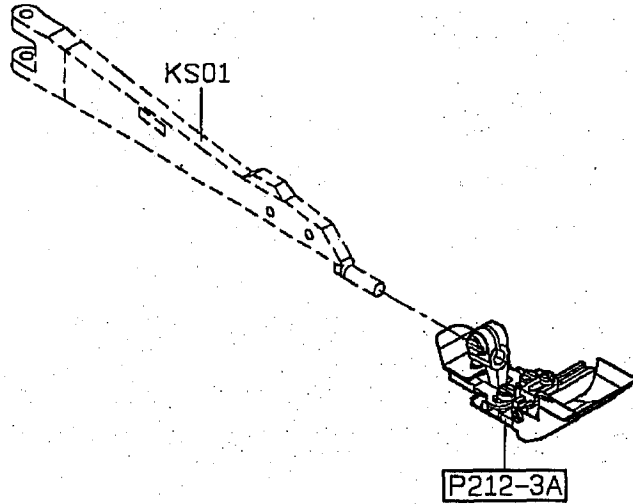
A

B

C

D

E



線別種類	針板	押具組	送料具	適用範圍 (鬆緊帶寬)
737	E324K	P212-A	D116K/ D117K/ H118K	1/8"~17/32"
		P212-3A	D116K/ D117K/ H118K	3/8"~57/64"
		P212-5A	D116K/ D117K/ H118K	3/4"~2 9/32"
747	E434K	P212-2A	D116K/ D117K/ H118K	1/8"~17/32"
		P212-4A	D116K/ D117K/ H118K	3/8"~57/64"
		P212-6A	D116K/ D117K/ H118K	3/4"~2 9/32"

1

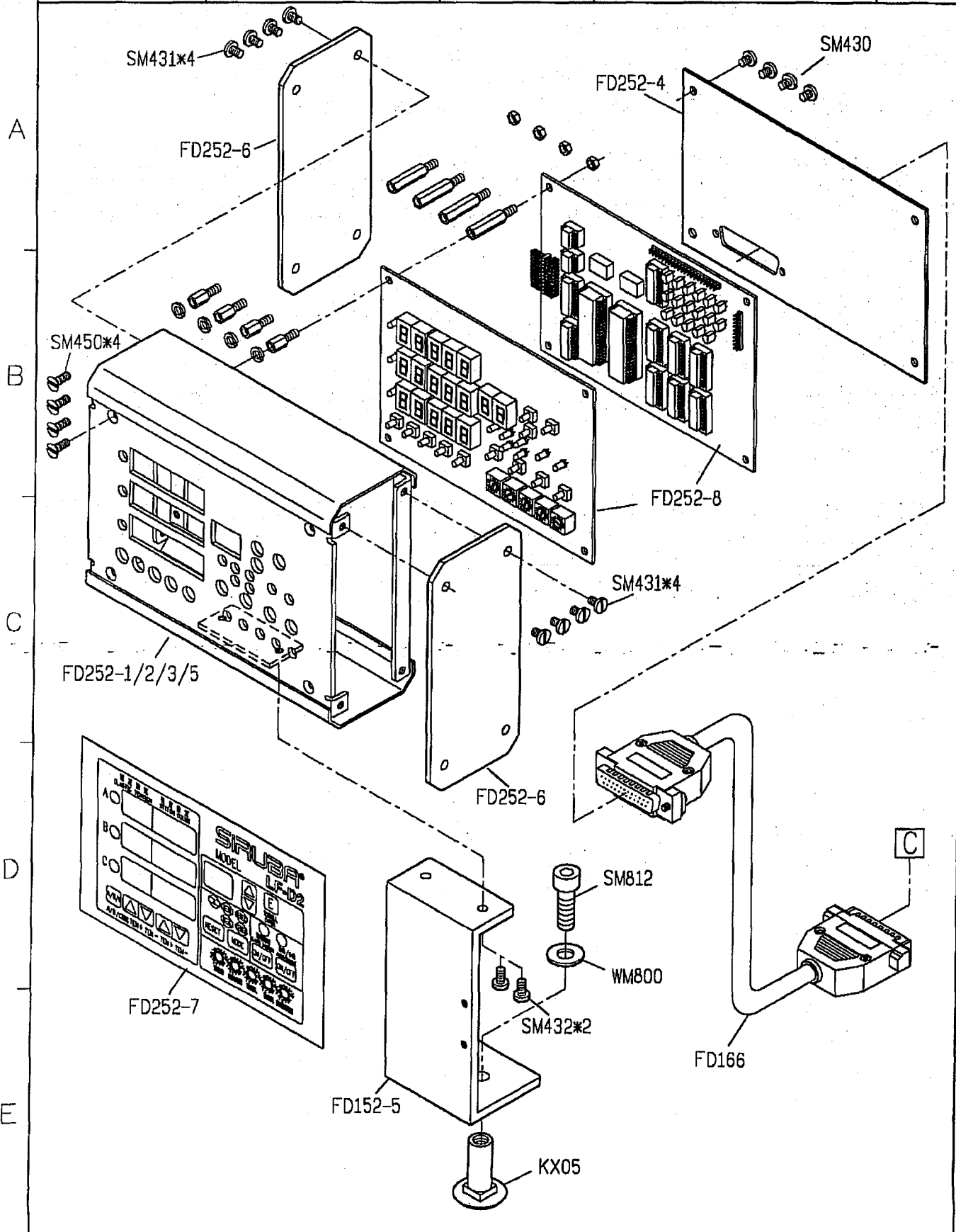
2

3

4

5

SIRUBA PARTS LIST	Series <b>700FS</b>	Parts Group <b>LF-D2</b>	Subclass / Remark	Page 7/8 Date 2013/08/10
----------------------	------------------------	-----------------------------	-------------------	-----------------------------------



1                      2                      3                      4                      5

**SIRUBA**

PARTS LIST

Series

**700FS**

Parts Group

**LF-D2**

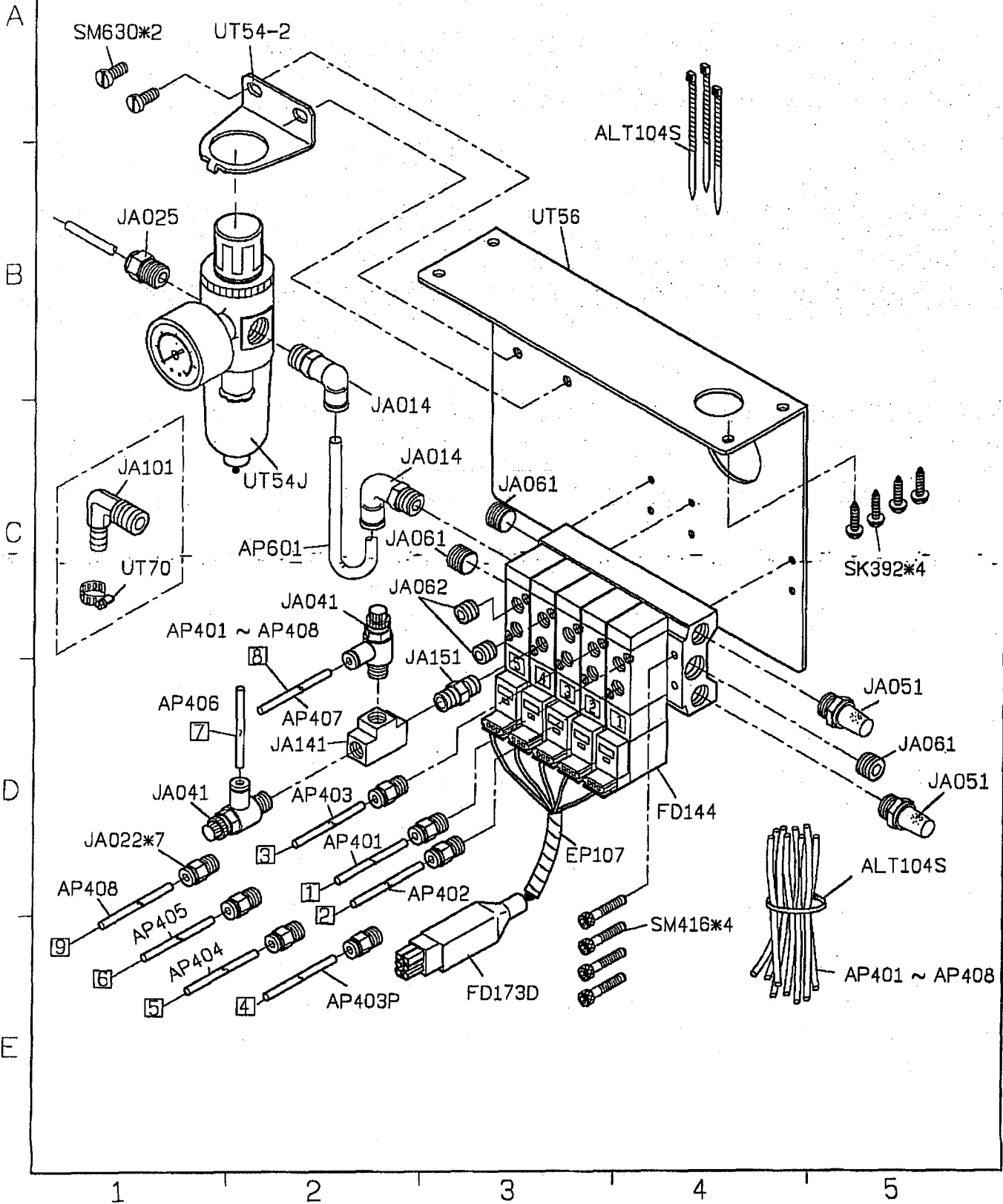
Subclass / Remark

Page

8/8

Date

2013/08/10



**SIRUBA**

PARTS LIST

Series

**700FS**

Parts Group

**LF-D3**

Subclass / Remark

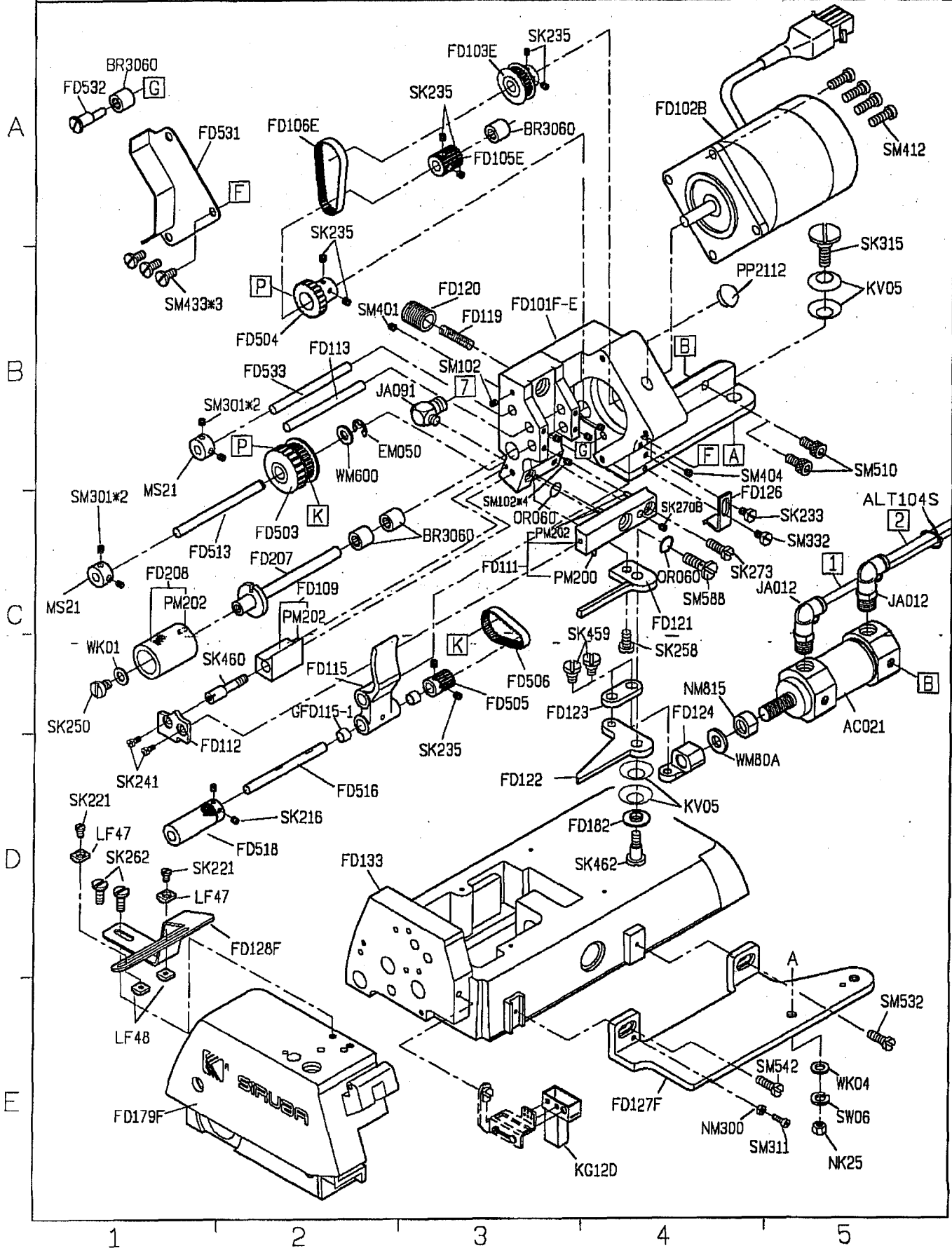
For  
Short Wheel  
UNDER 5/8"

Page

1/8

Date

2013/08/10



**SIRUBA**

PARTS LIST

Series

**700FS**

Parts Group

**LF-D3**

Subclass / Remark

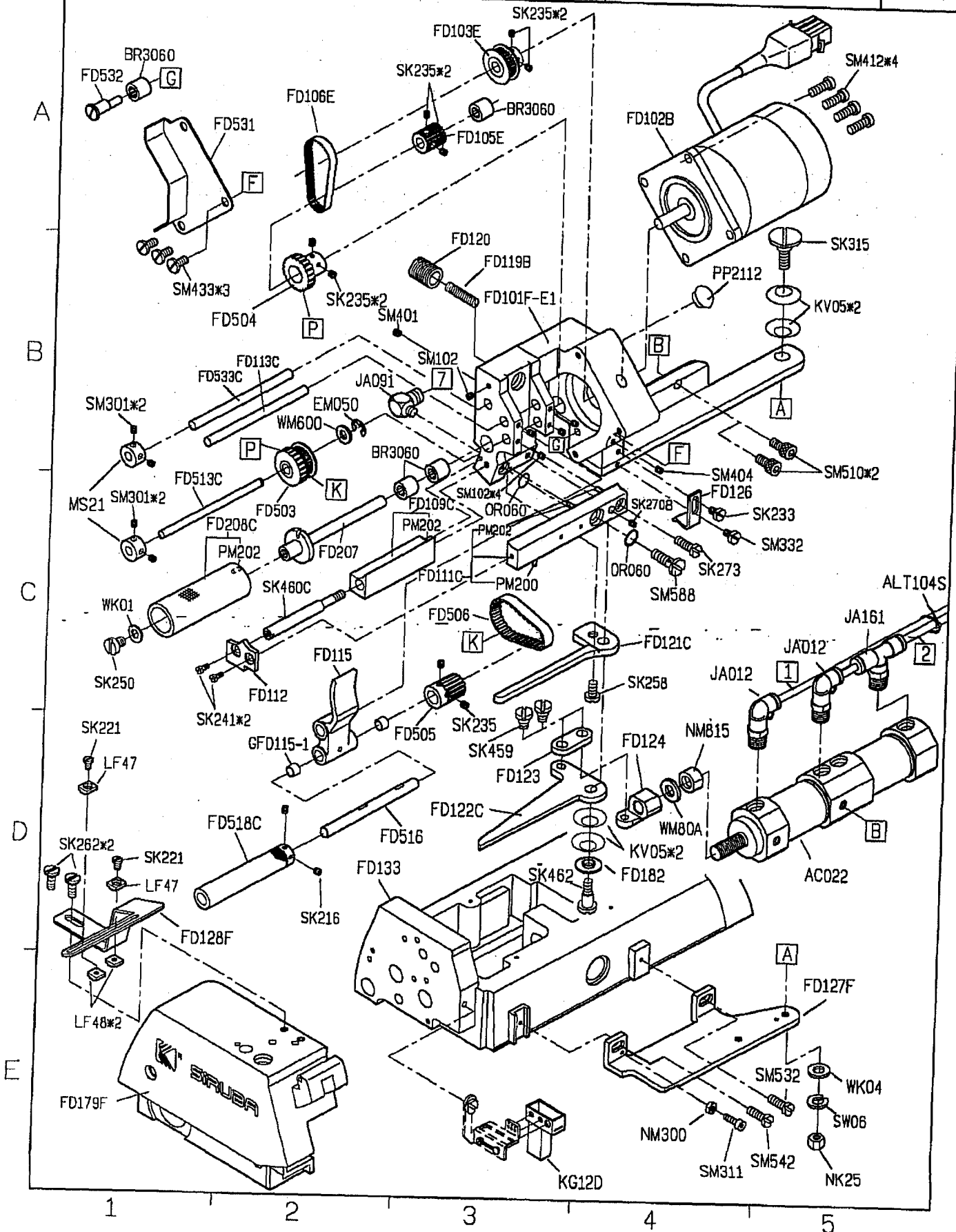
For  
Long Wheel  
5/8"~2"

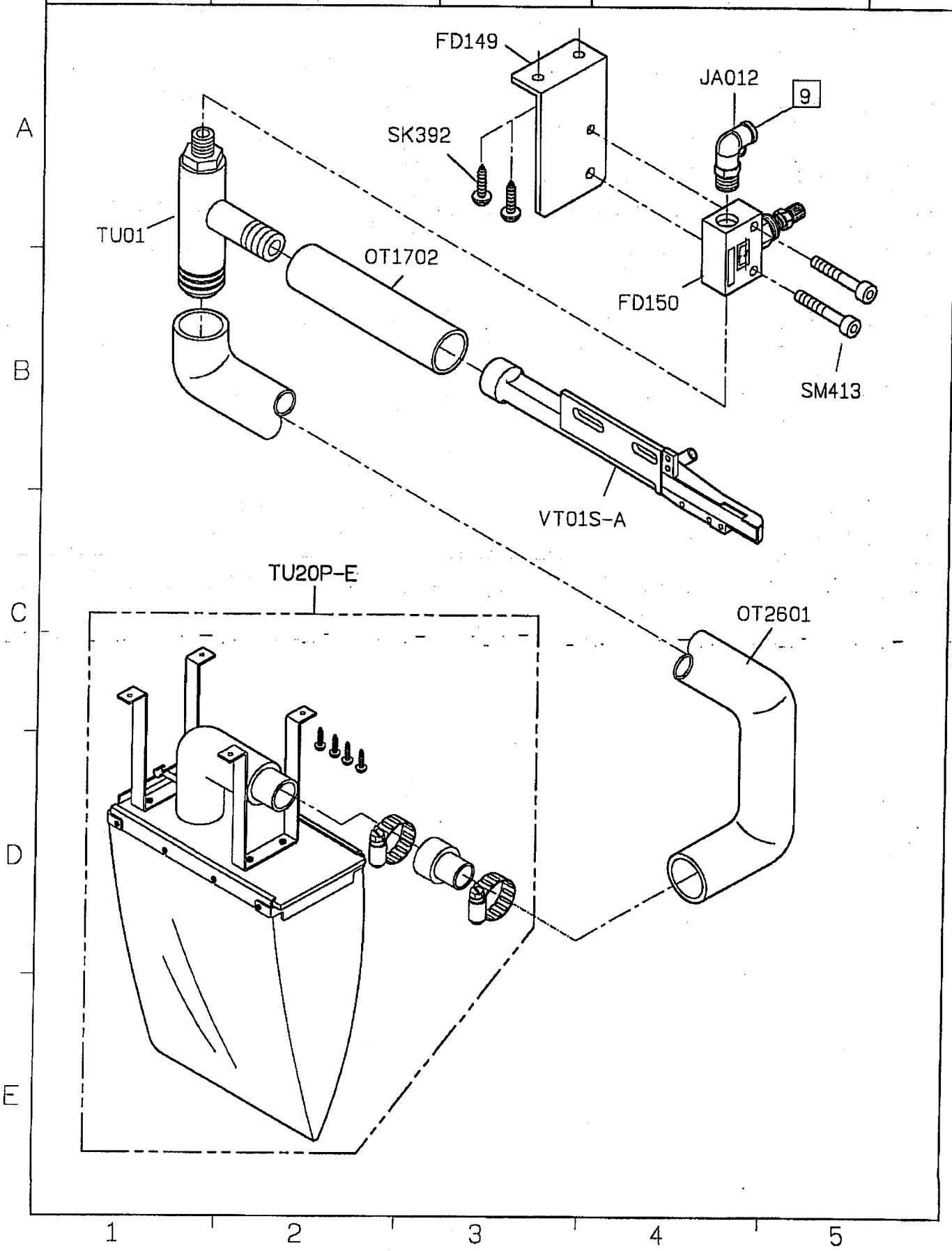
Page

2/8

Date

2013/08/10





**SIRUBA**

PARTS LIST

Series

**700FS**

Parts Group

**LF-D3**

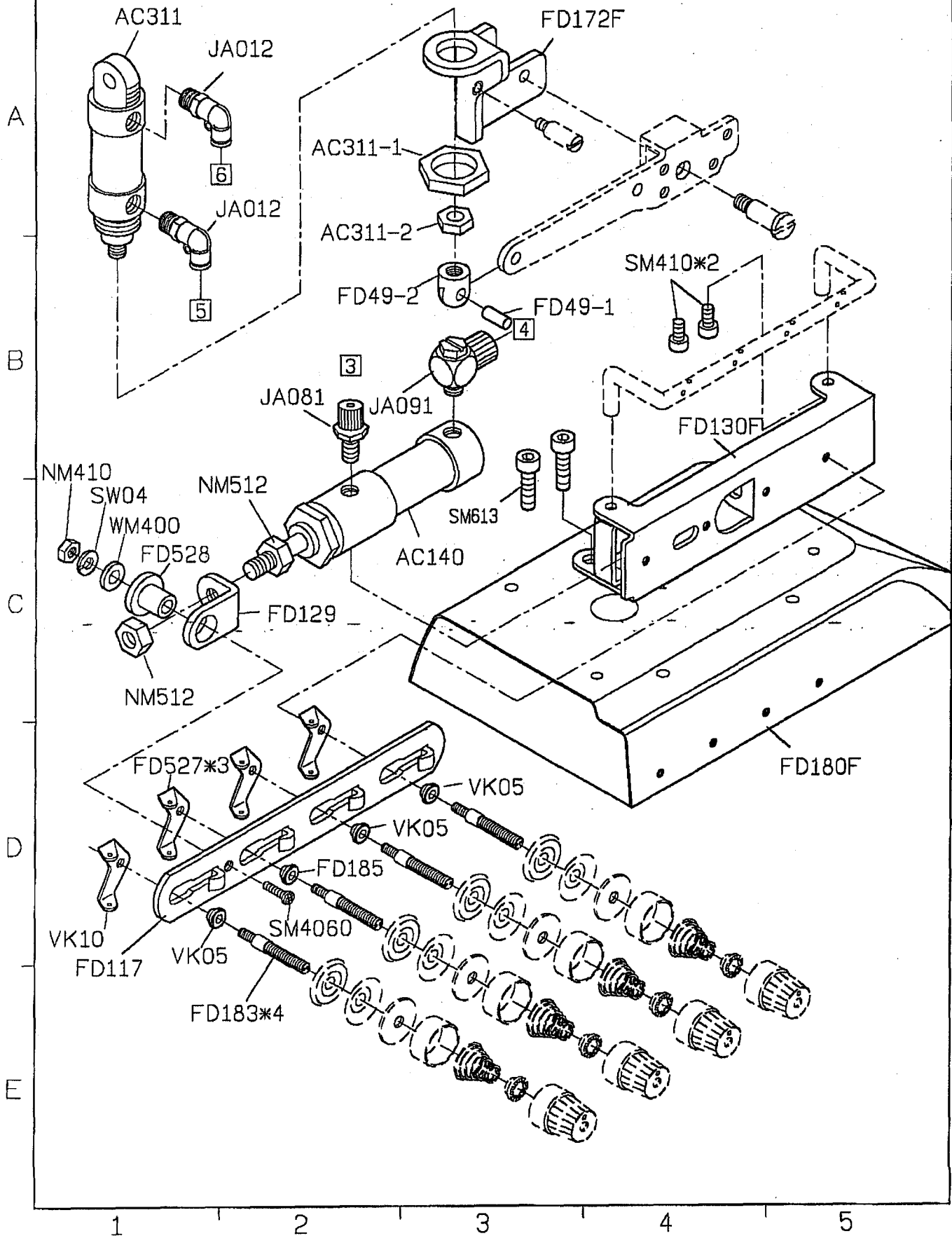
Subclass / Remark

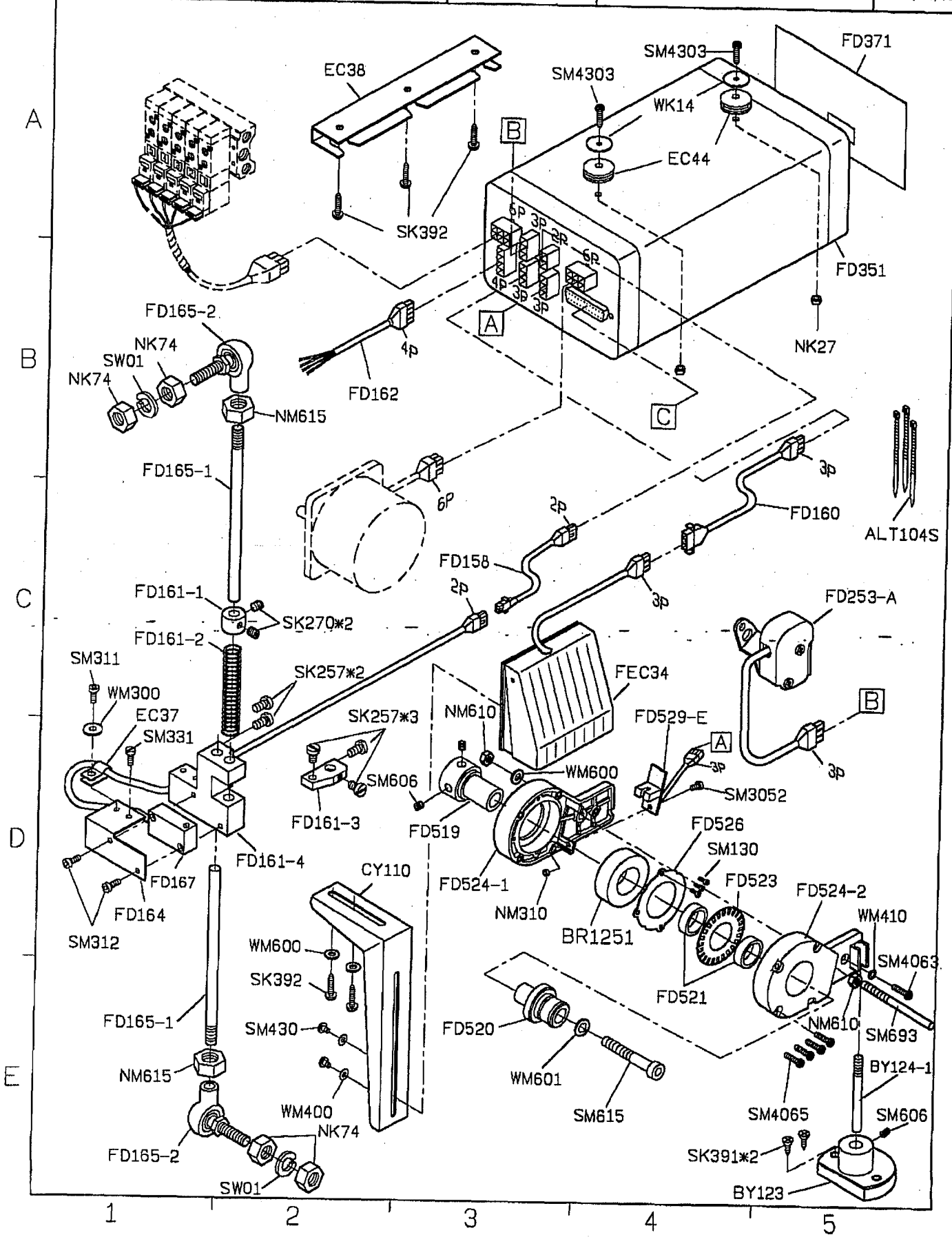
Page

4/8

Date

2013/08/10







<b>SIRUBA</b> PARTS LIST	Series	Parts Group	Subclass / Remark	Page
	<b>700FS</b>	<b>LF-D3</b>		6/8
				Date
				2013/08/10

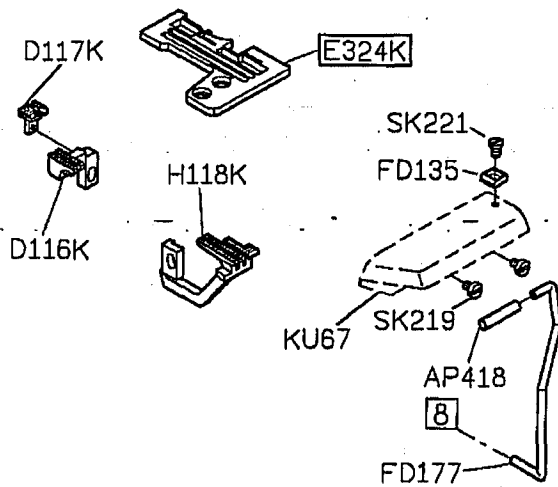
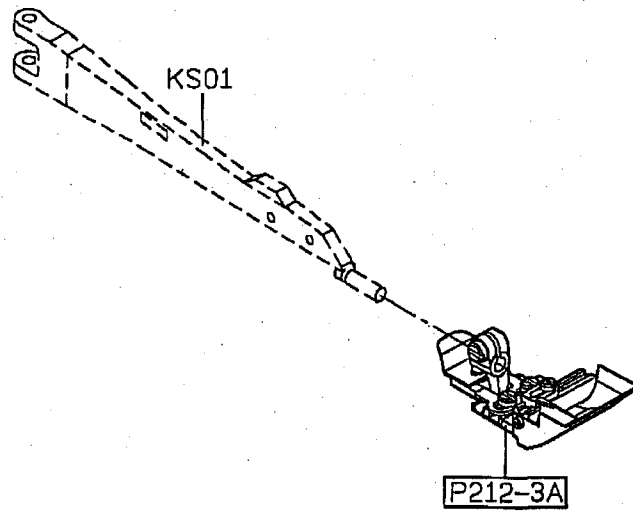
A

B

C

D

E



線別種類	針板	押具組	送料具	適用範圍 (鬆緊帶寬)
737	E324K	P212-A	D116K / H118K D117K	1/8"~17/32"
		P212-3A	D116K / H118K D117K	3/8"~57/64"
		P212-5A	D116K / H118K D117K	3/4"~2 9/32"
747	E434K	P212-2A	D116K / H118K D117K	1/8"~17/32"
		P212-4A	D116K / H118K D117K	3/8"~57/64"
		P212-6A	D116K / H118K D117K	3/4"~2 9/32"

1

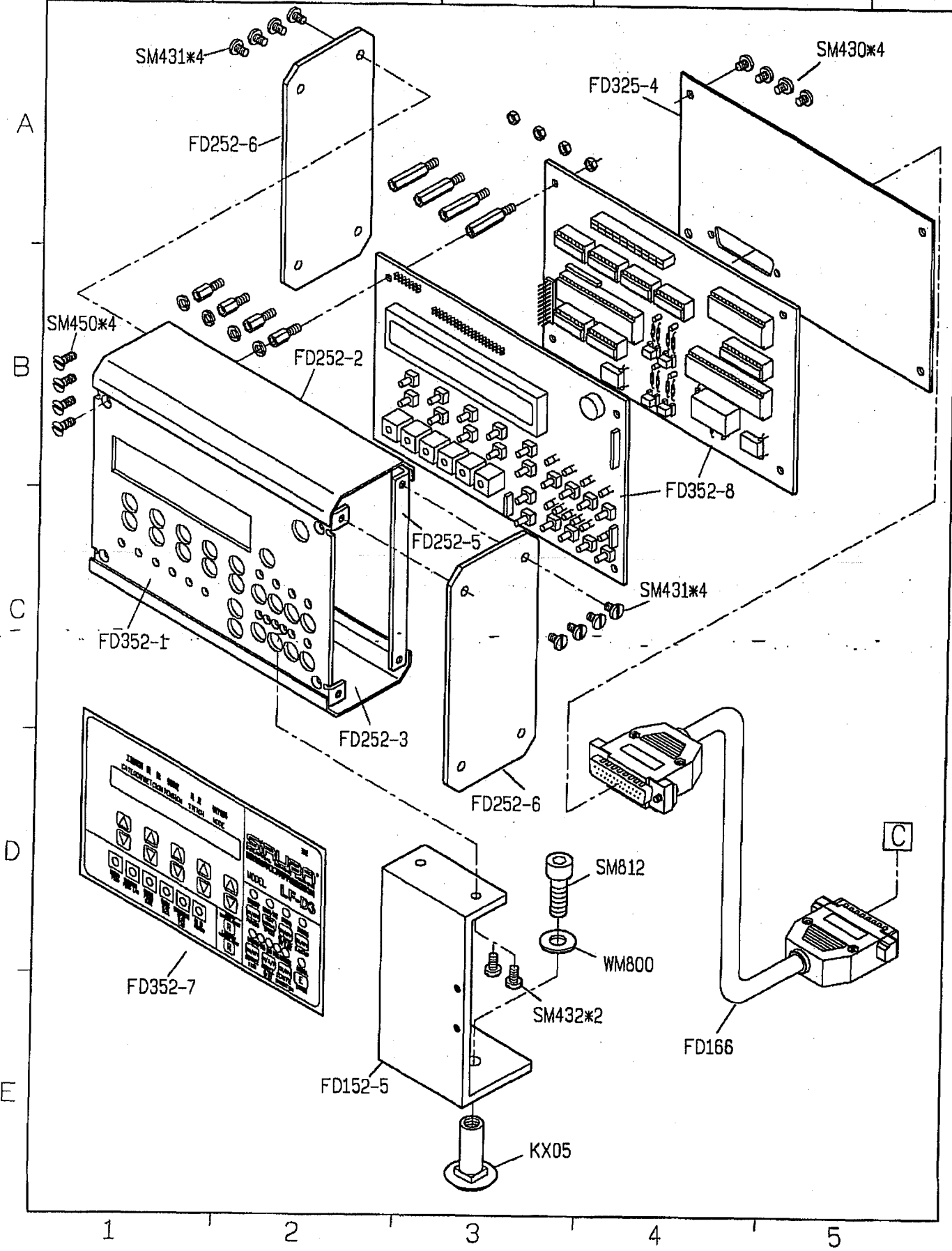
2

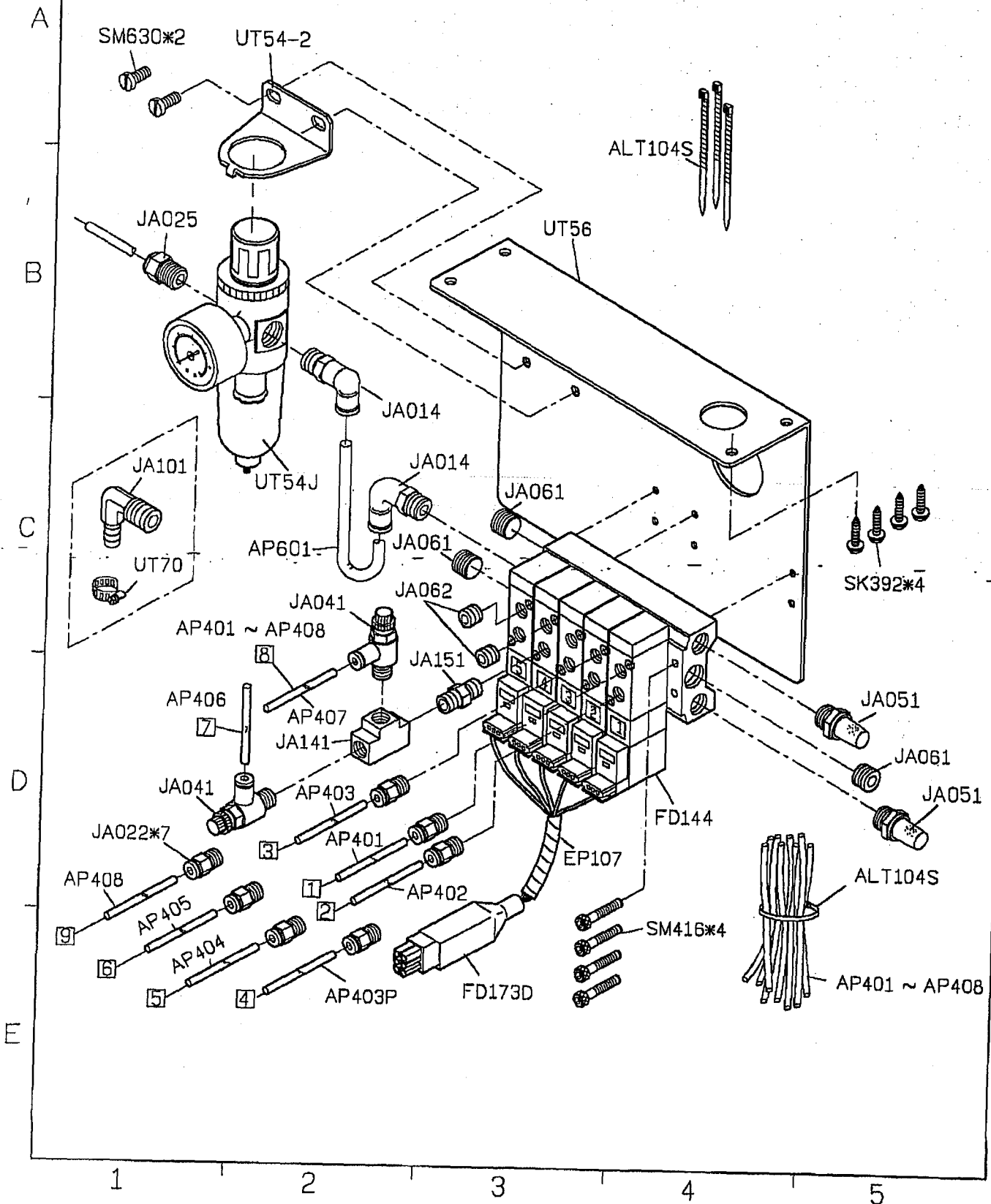
3

4

5

<b>SIRUBA</b> PARTS LIST	Series	Parts Group	Subclass / Remark	Page
	<b>700FS</b>	<b>LF-D3</b>		7/8
				Date
				2013/08/10





**SIRUBA**

PARTS LIST

Series

**700FS**

Parts Group

**LF-D6/A**

Subclass / Remark

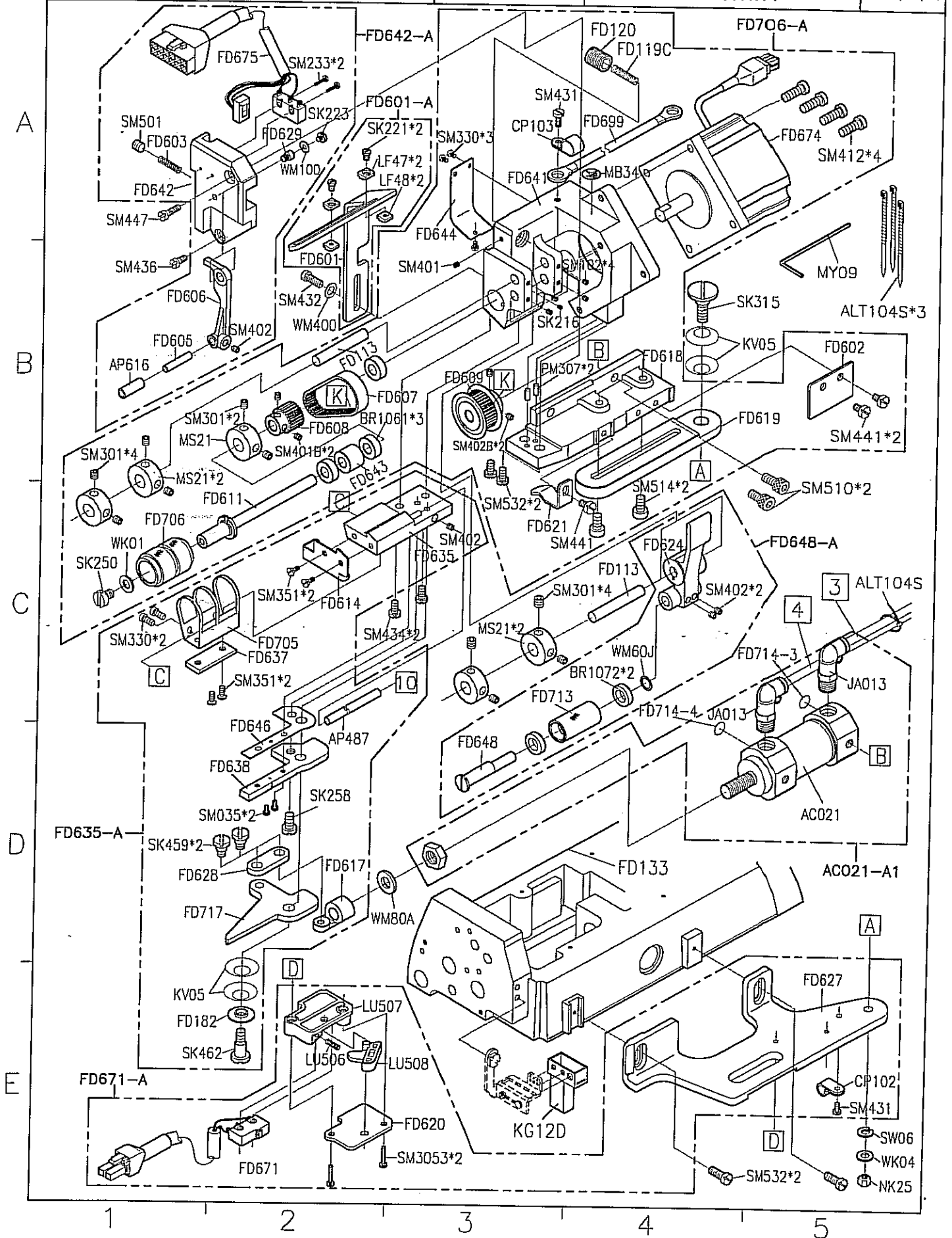
For  
Short Wheel  
Cut Limit 20mm

Page

1/11

Date

2013/07/31



**SIRUBA**

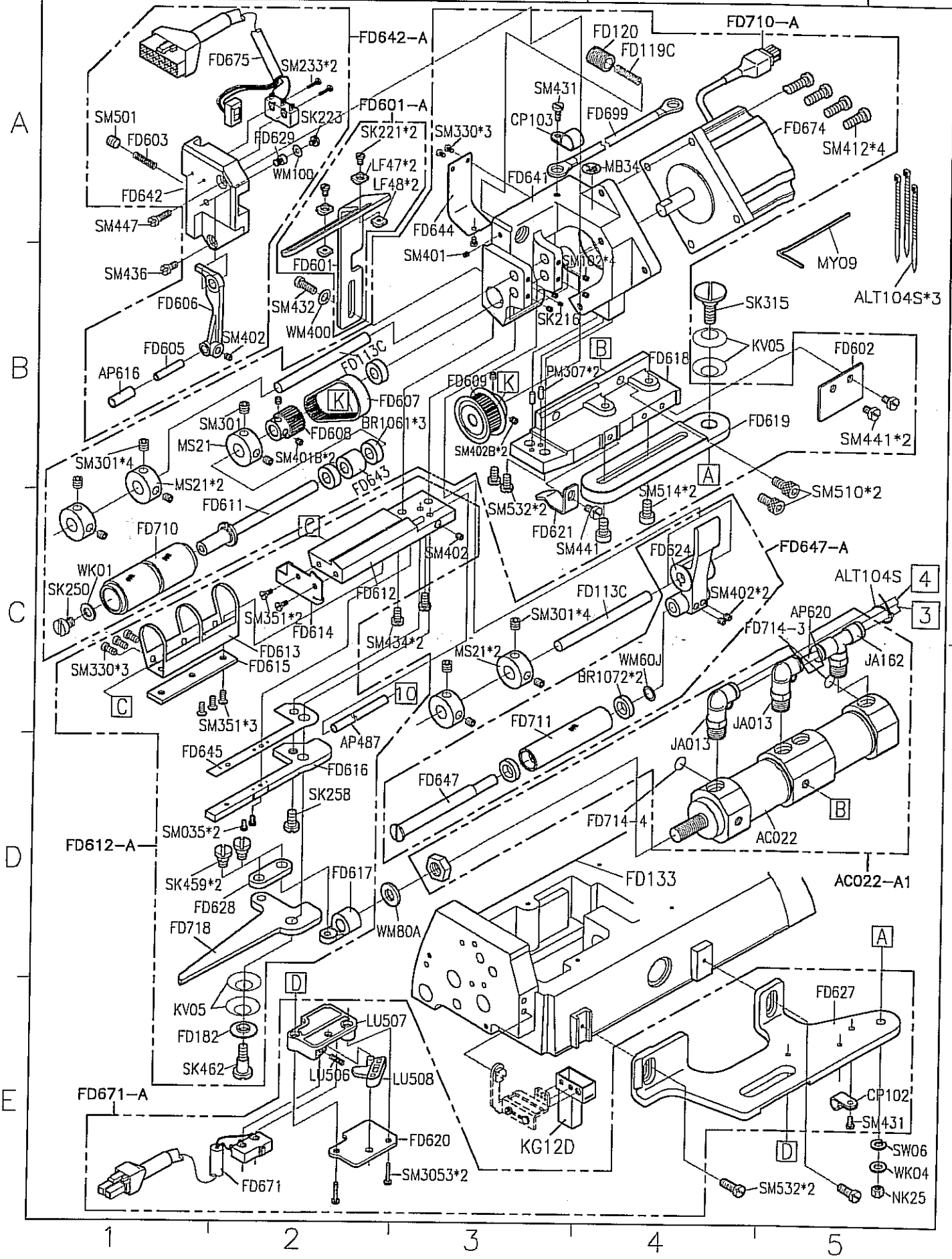
PARTS LIST

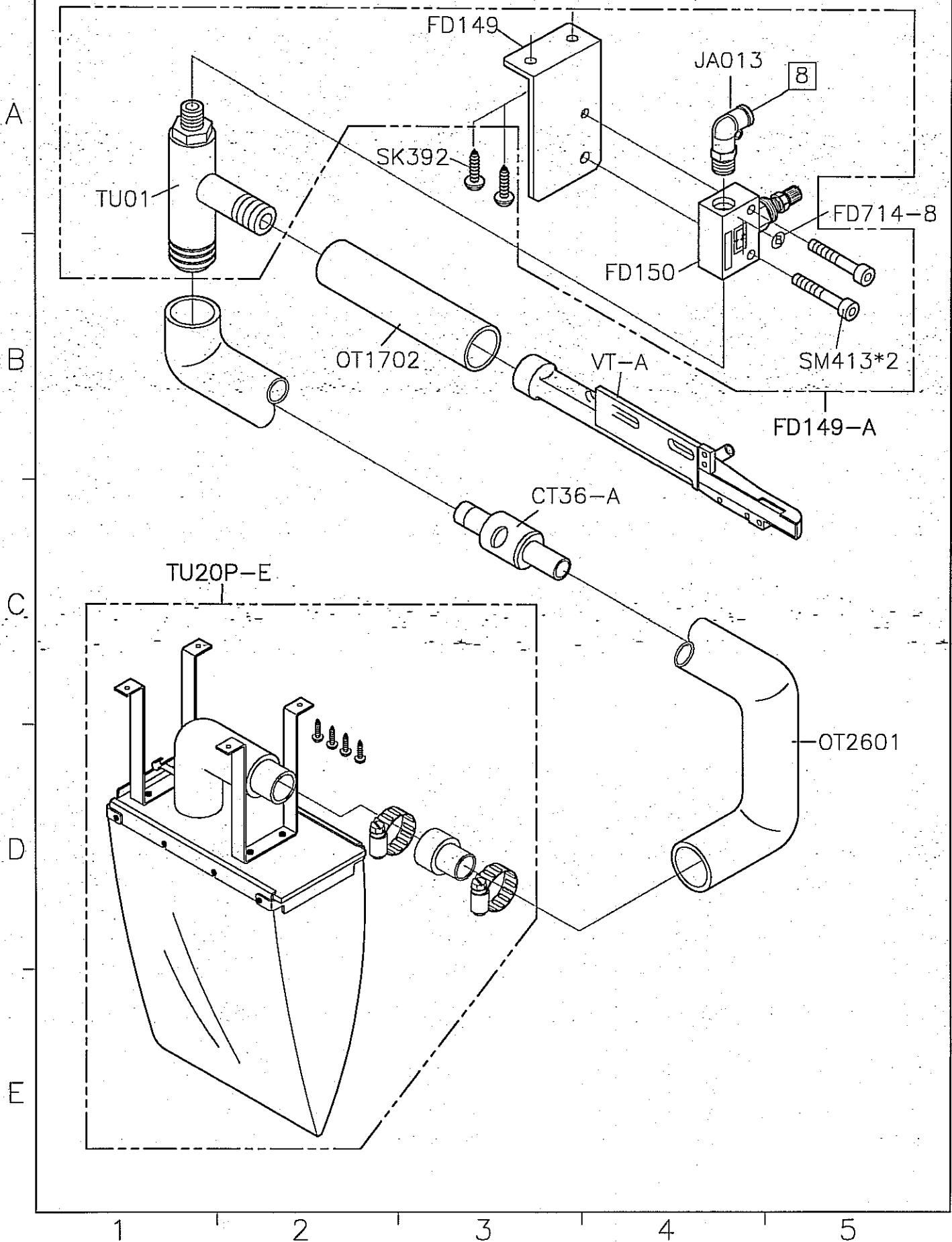
Series  
**700FS**

Parts Group  
**LF-D6/A**

Subclass / Remark  
For  
Long Wheel  
Cut Limit 40mm

Page  
2/11  
Date  
2013/07/31





**SIRUBA**

PARTS LIST

Series

**700FS**

Parts Group

**LF-D6/A**

Subclass / Remark

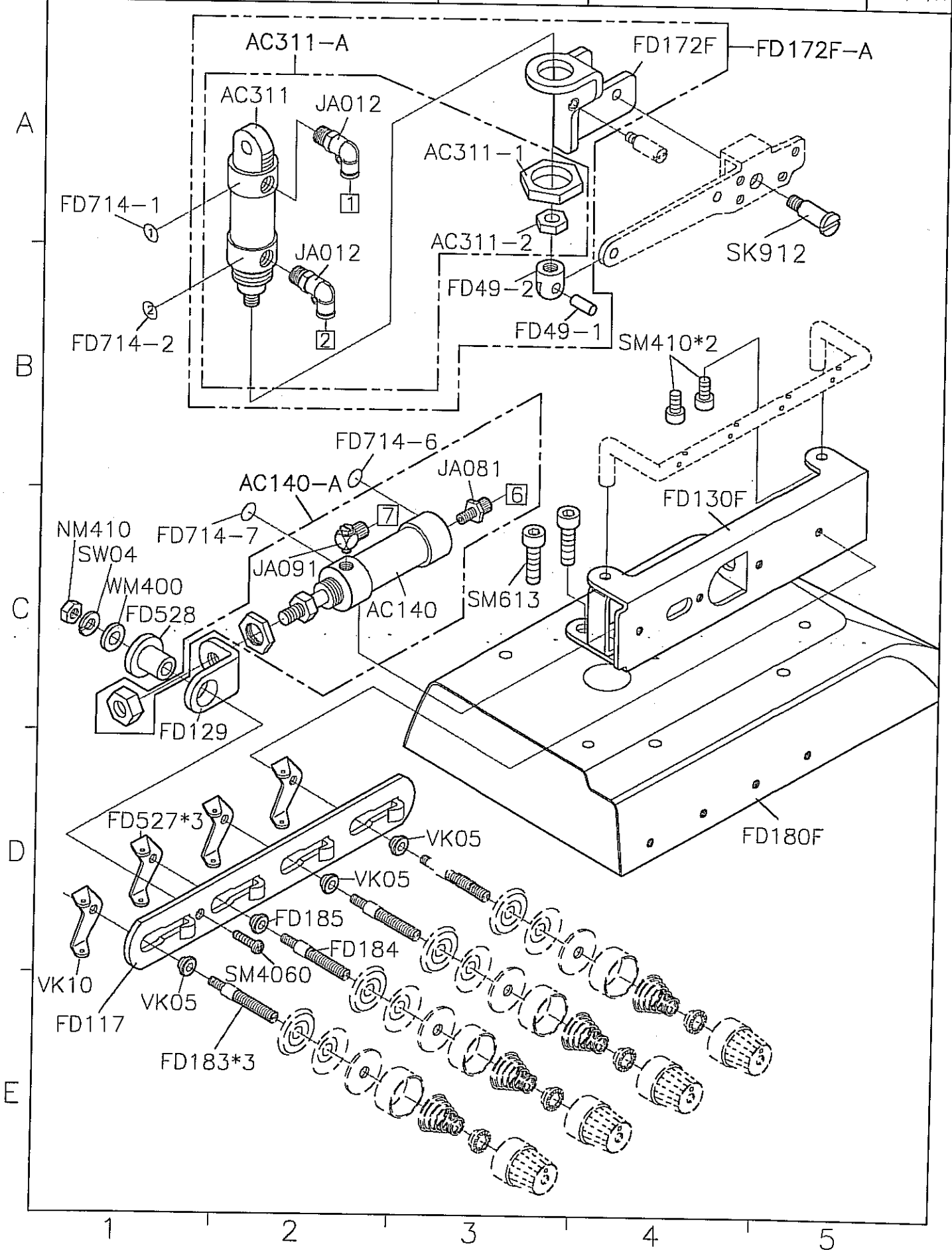
With Thread Release Device  
含松線裝置

Page

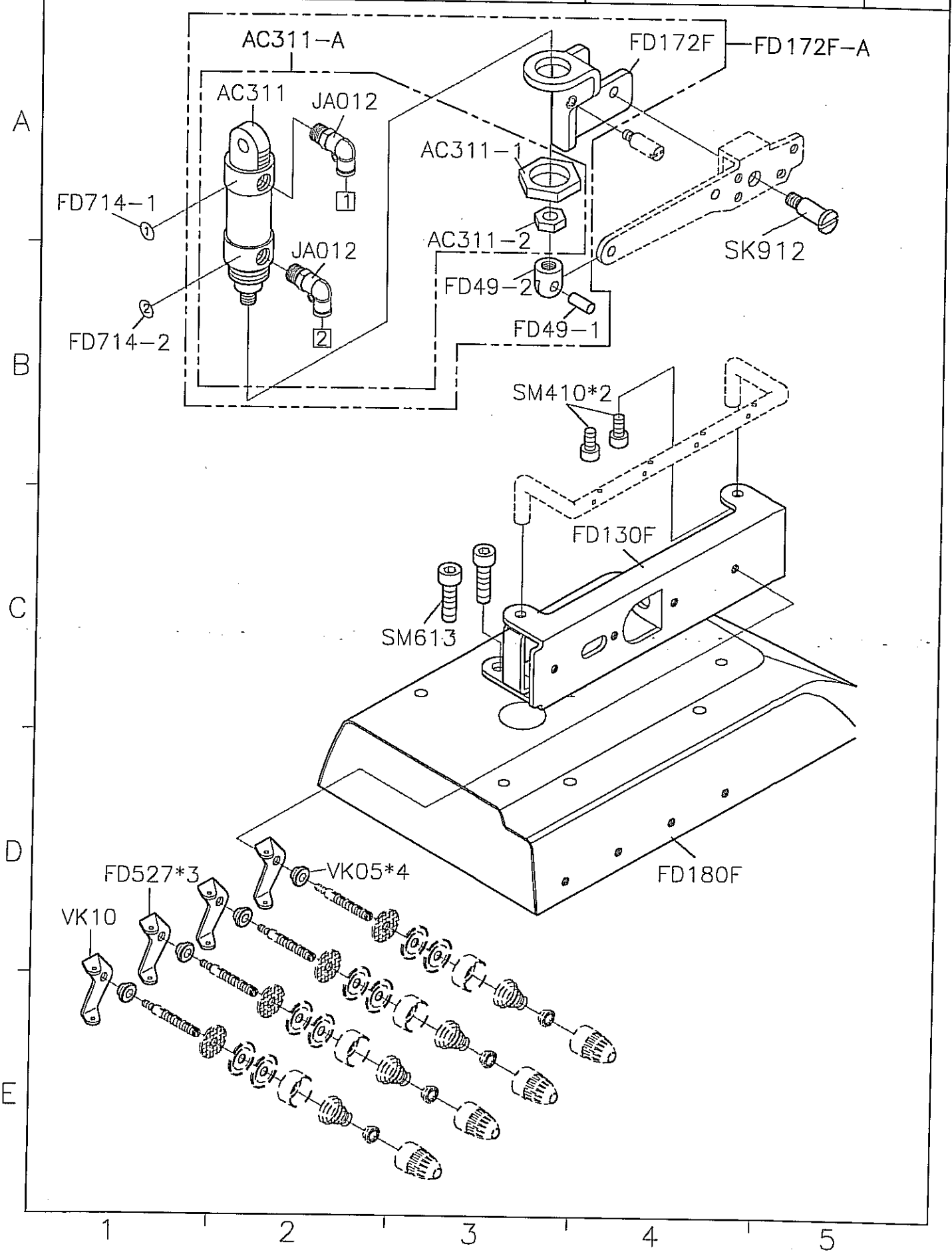
4/11

Date

2013/07/31



<b>SIRUBA</b> PARTS LIST	Series	Parts Group	Subclass / Remark	Page
	<b>700FS</b>	<b>LF-D6/A</b>	Without Thread Release Device 不含松線裝置	5/11
				Date
				2013/07/31





SIRUBA PARTS LIST	Series	Parts Group	Subclass / Remark	Page
	700FS	LF-D6/A		6/11
				Date
				2013/02/28

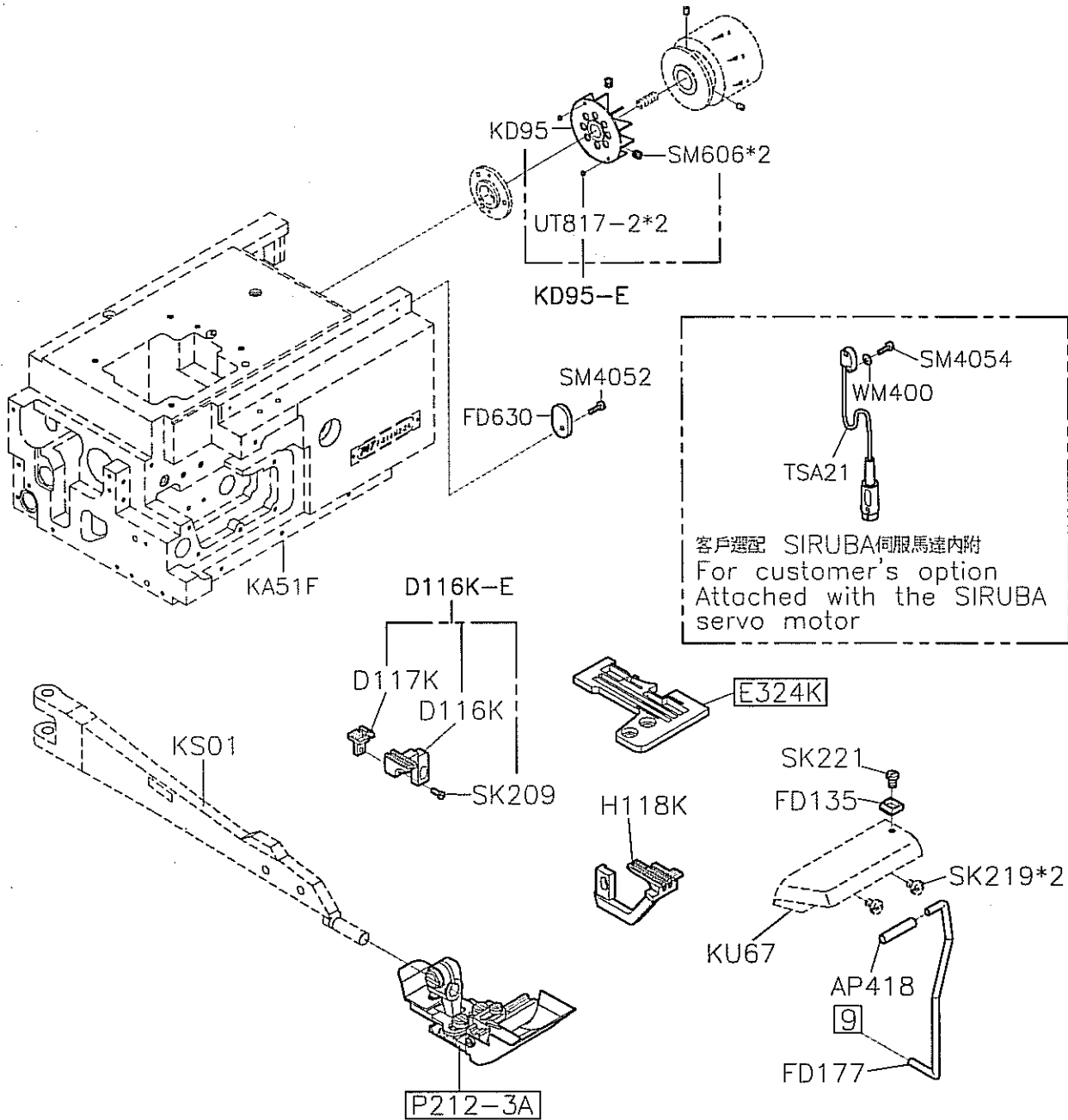
A

B

C

D

E



線別種類	針板	押具組	送料具	適用範圍 (鬆緊帶寬)
737	E324K	P212-A	D116K / H118K	1/8~1/2"
		P212-3A	D116K / H118K	3/8~7/8"
		P212-5A	D116K / H118K	3/4~2 1/4"
747	E434K	P212-2A	D116K / H118K	1/8~1/2"
		P212-4A	D116K / H118K	3/8~7/8"
		P212-6A	D116K / H118K	3/4~2 1/4"

1

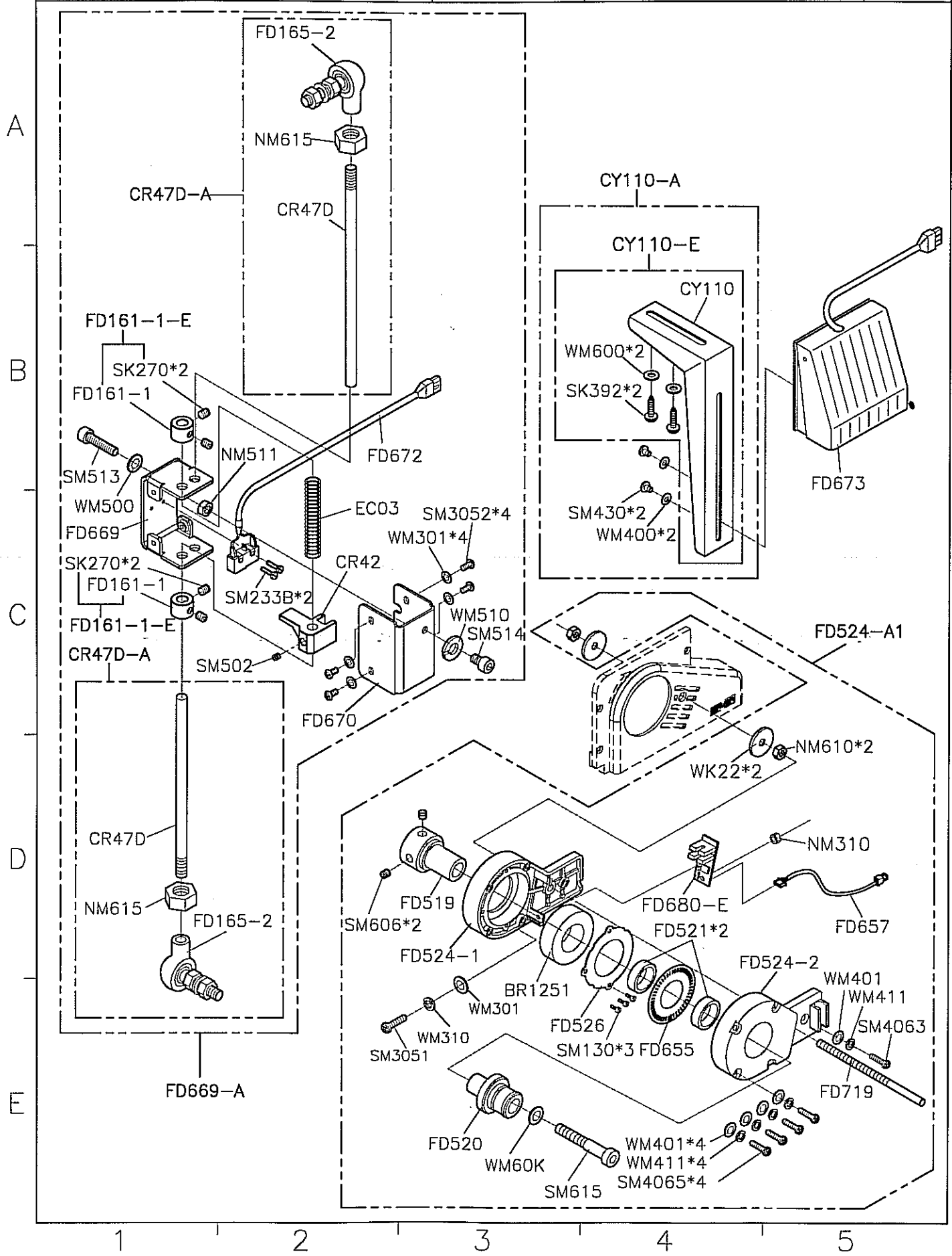
2

3

4

5

<b>SIRUBA</b> PARTS LIST	Series	Parts Group	Subclass / Remark	Page
	<b>700FS</b>	<b>LF-D6/A</b>		7/11
				Date
				2013/07/03



**SIRUBA**

PARTS LIST

Series

**700FS**

Parts Group

**LF-D6/A**

Subclass / Remark

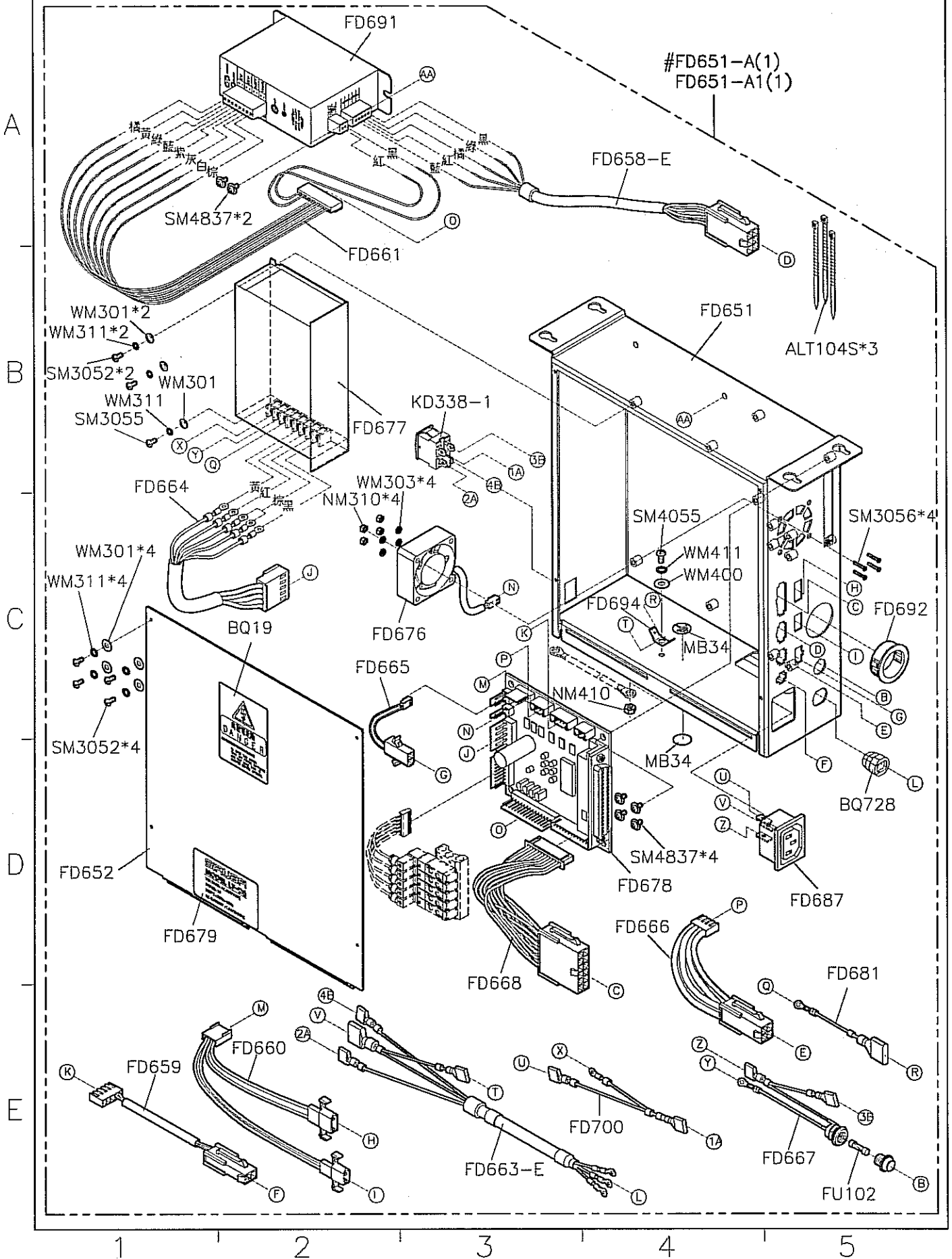
#With Thread Release Device  
#含松線裝置

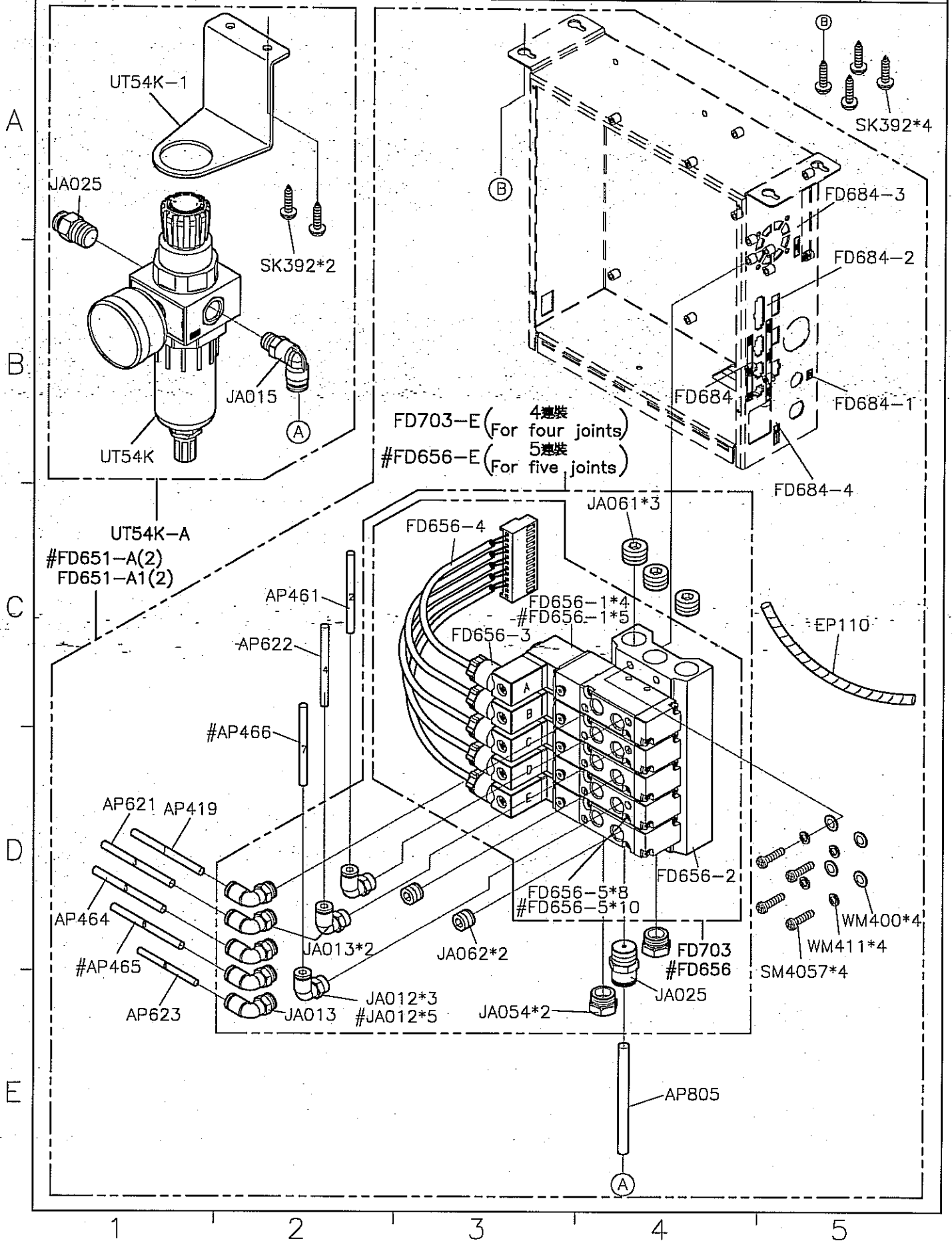
Page

8/11

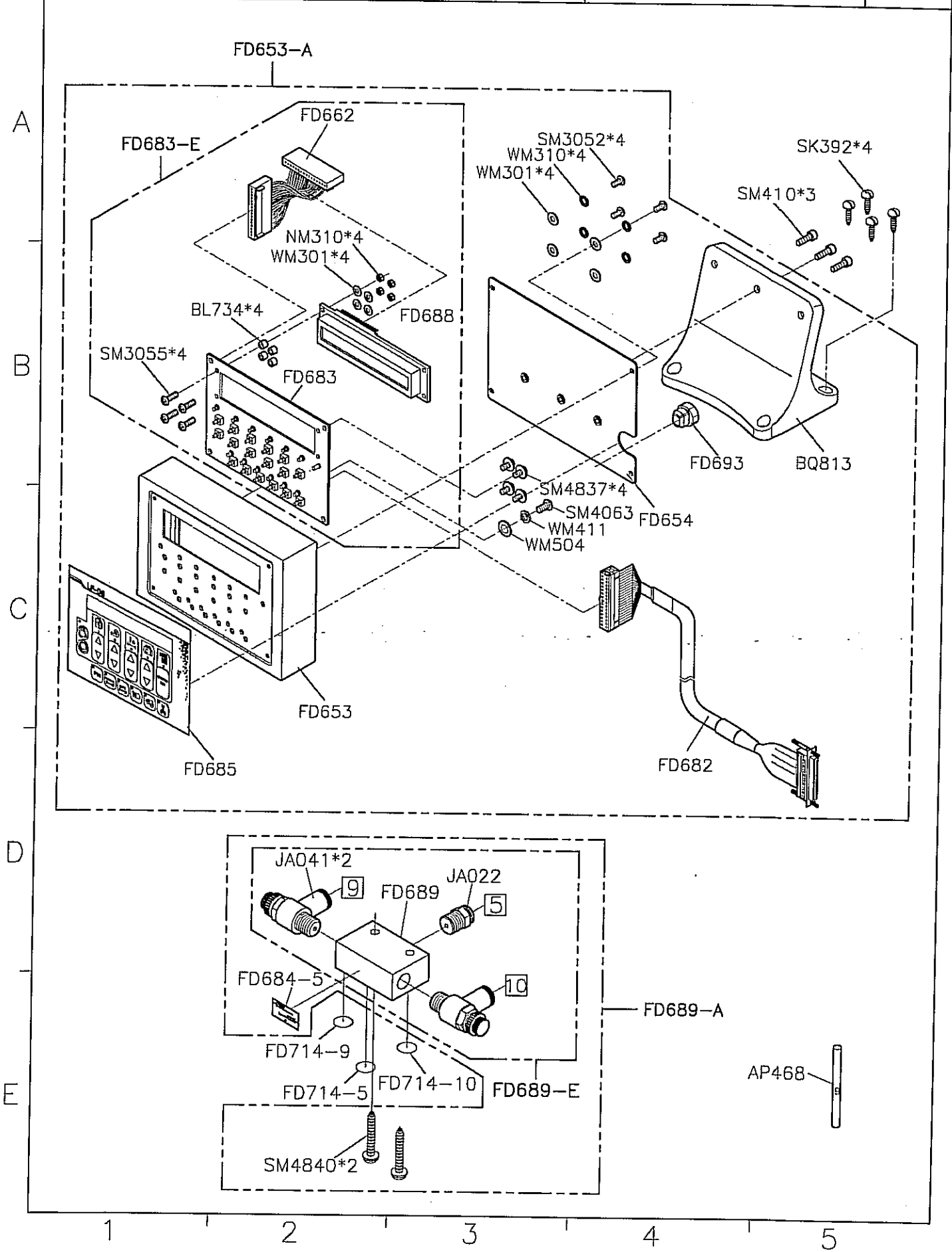
Date

2013/02/28





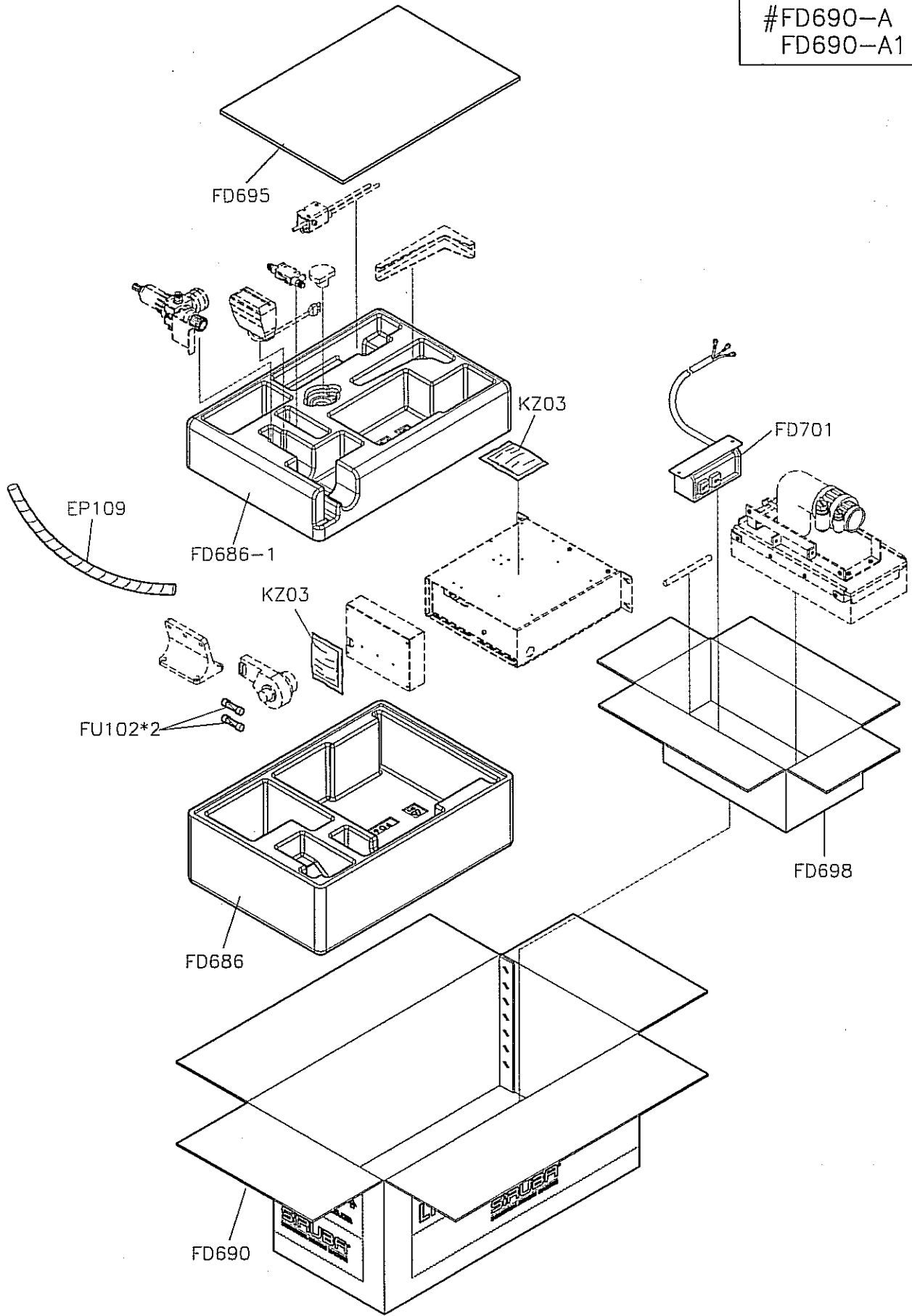
SIRUBA PARTS LIST	Series	Parts Group	Subclass / Remark	Page
	700FS	LF-D6/A		10/11
				Date
				2013/07/31



<b>SIRUBA</b> PARTS LIST	Series	Parts Group	Subclass / Remark	Page
	<b>700FS</b>	<b>LF-D6/A</b>	#With Thread Release Device #含松線裝置	11/11
				Date
				2013/02/28

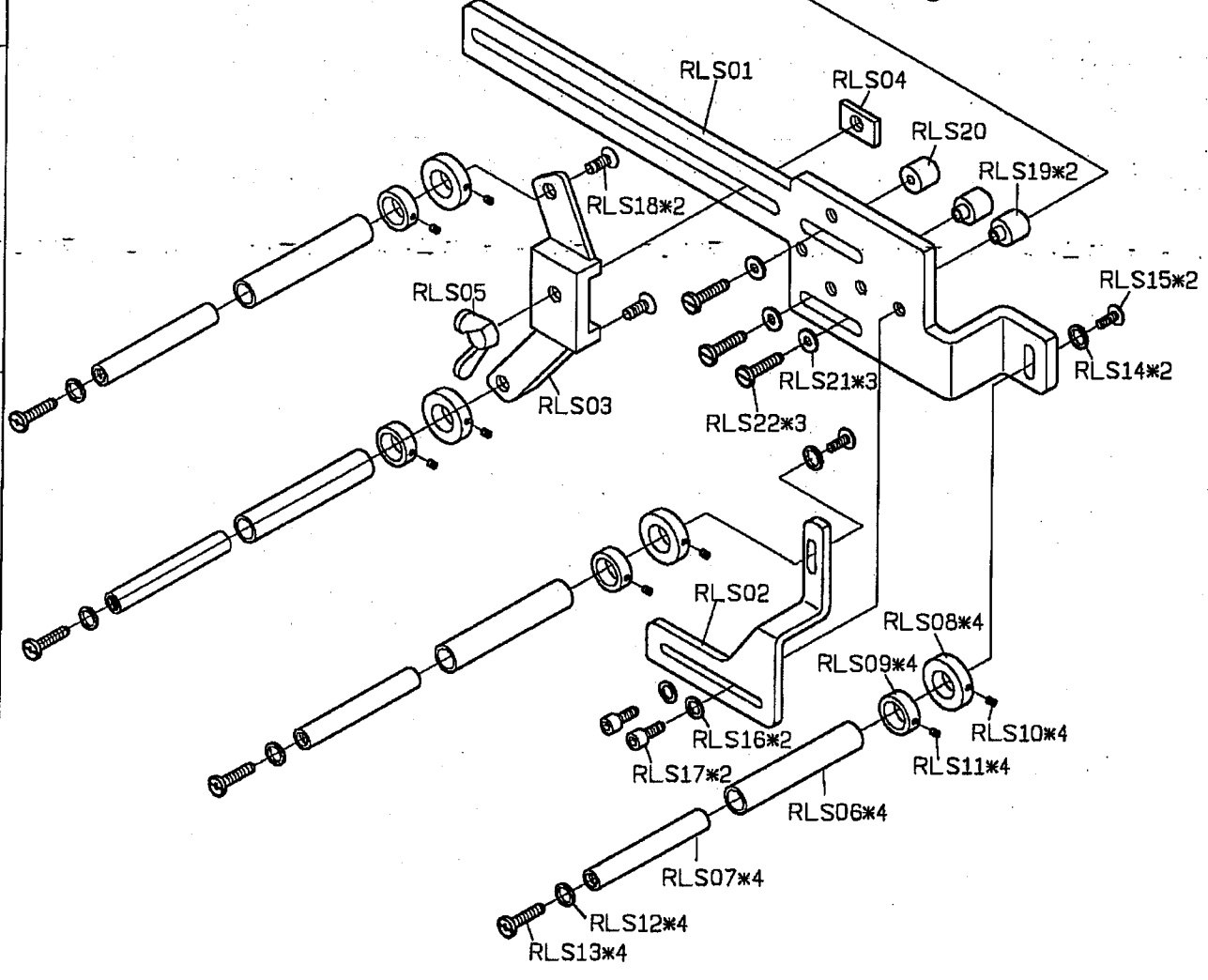
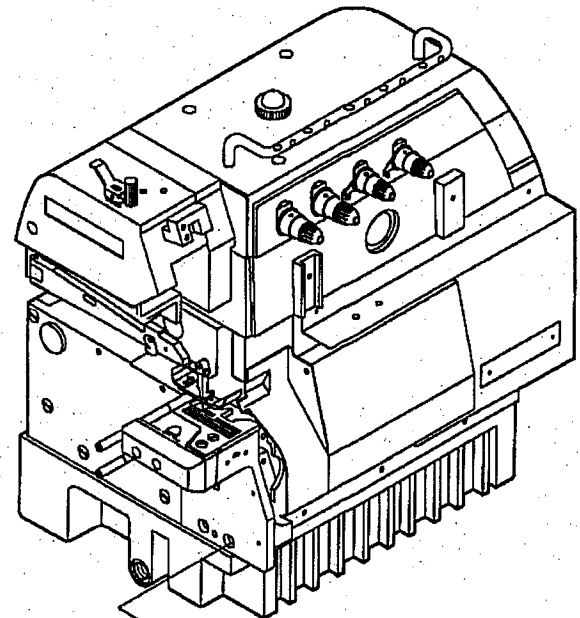
#FD690-A  
 FD690-A1

A  
 B  
 C  
 D  
 E



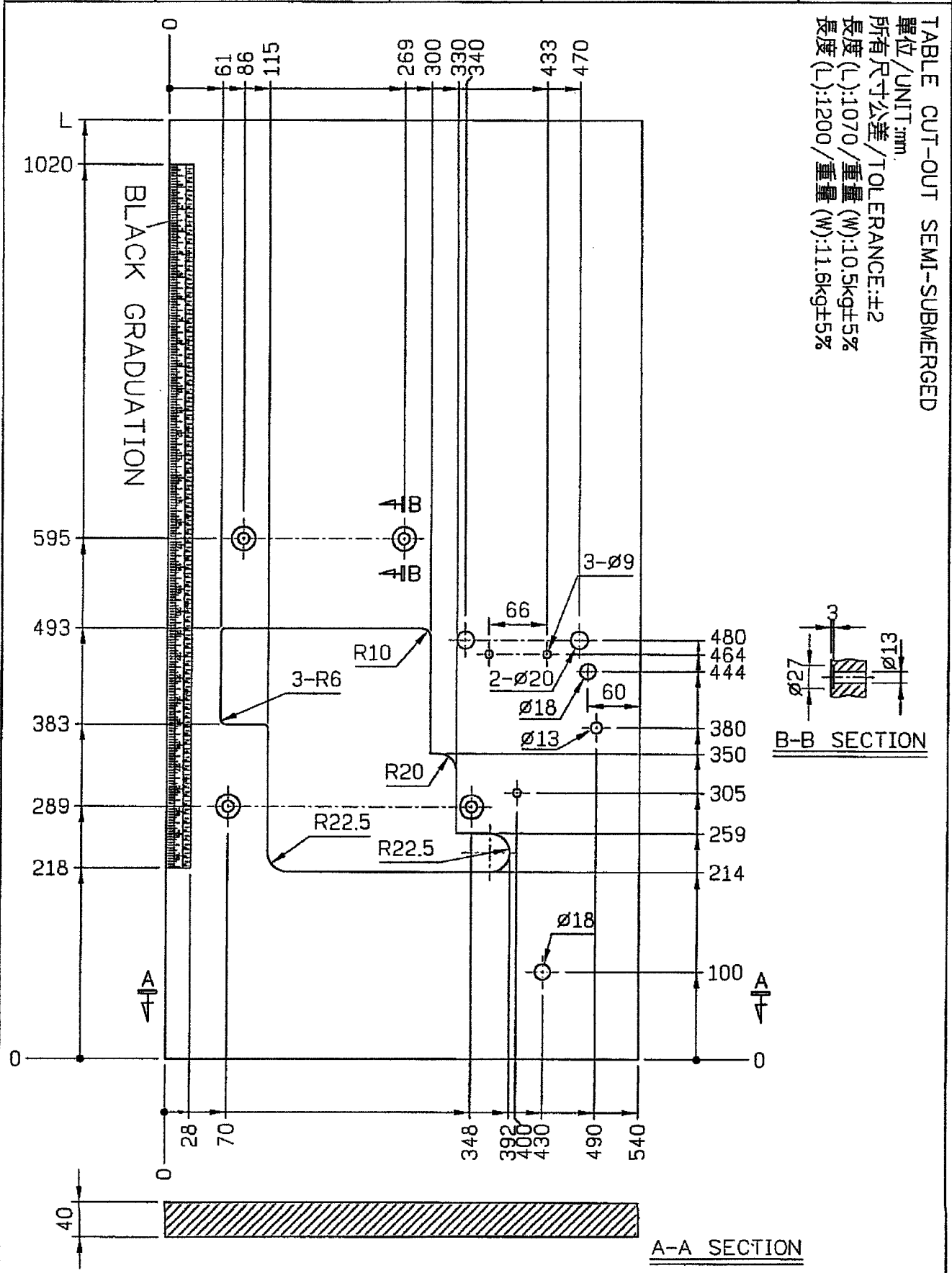
1                      2                      3                      4                      5

A  
B  
C  
D  
E



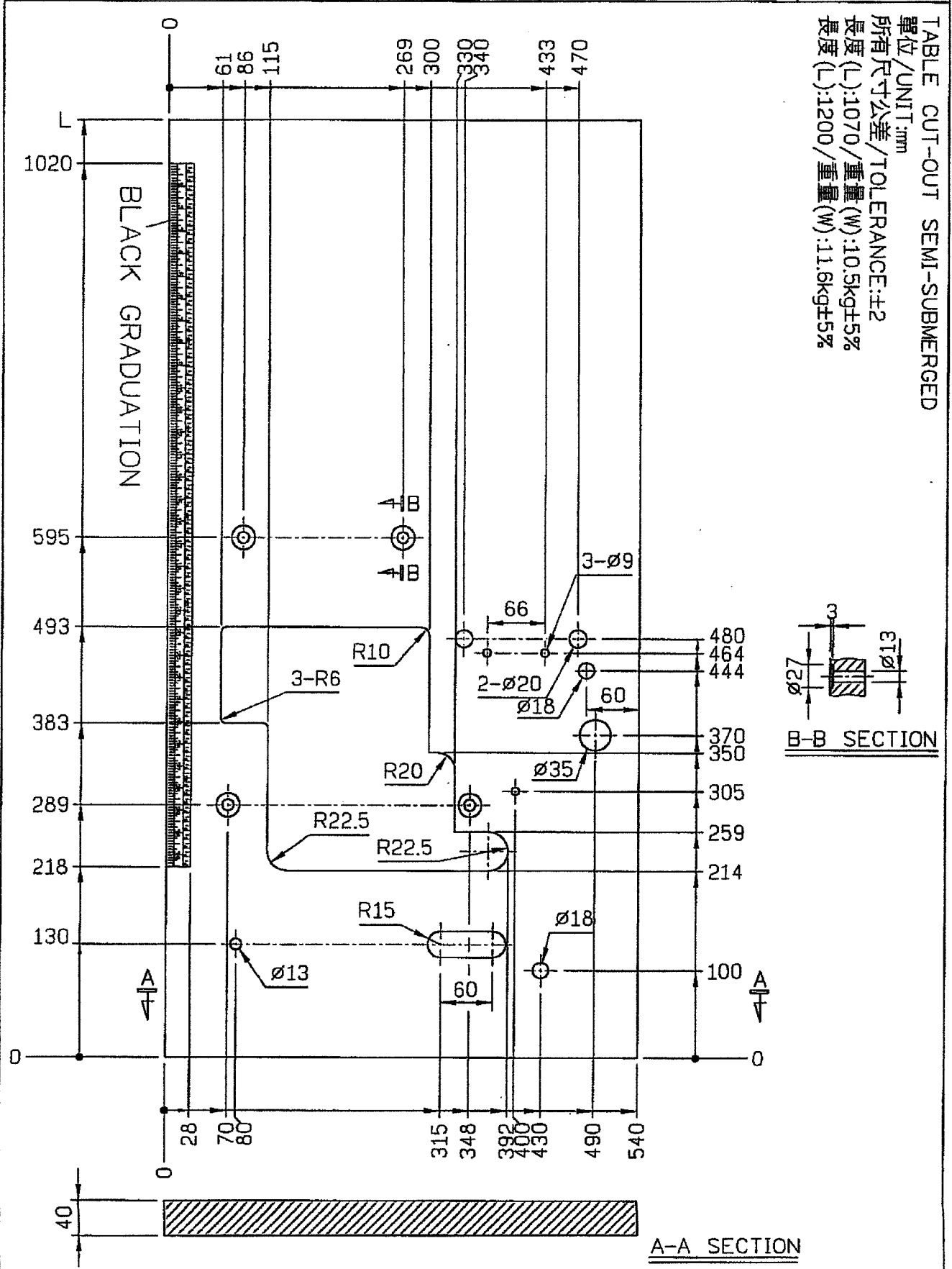
1 2 3 4 5

<b>SIRUBA</b> TABLE CUT - OUT	Series	Item Code	Subclass Remark	Mounting
	700FS	747FS-T1		Semi-submerged
				Date
				2012/11/18





<b>SIRUBA</b> TABLE CUT - OUT	Series	Item Code	Subclass Remark	Mounting
	<b>700FS</b>	<b>747FS-T2</b>		Semi-submerged
				Date
				2012/11/18



**SIRUBA**

TABLE  
CUT - OUT

Series

**700FS**

Item Code

**747FS-T3**

Subclass Remark

需配SM895-A

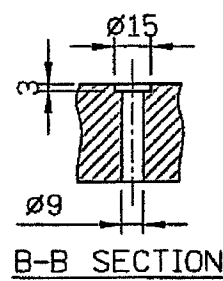
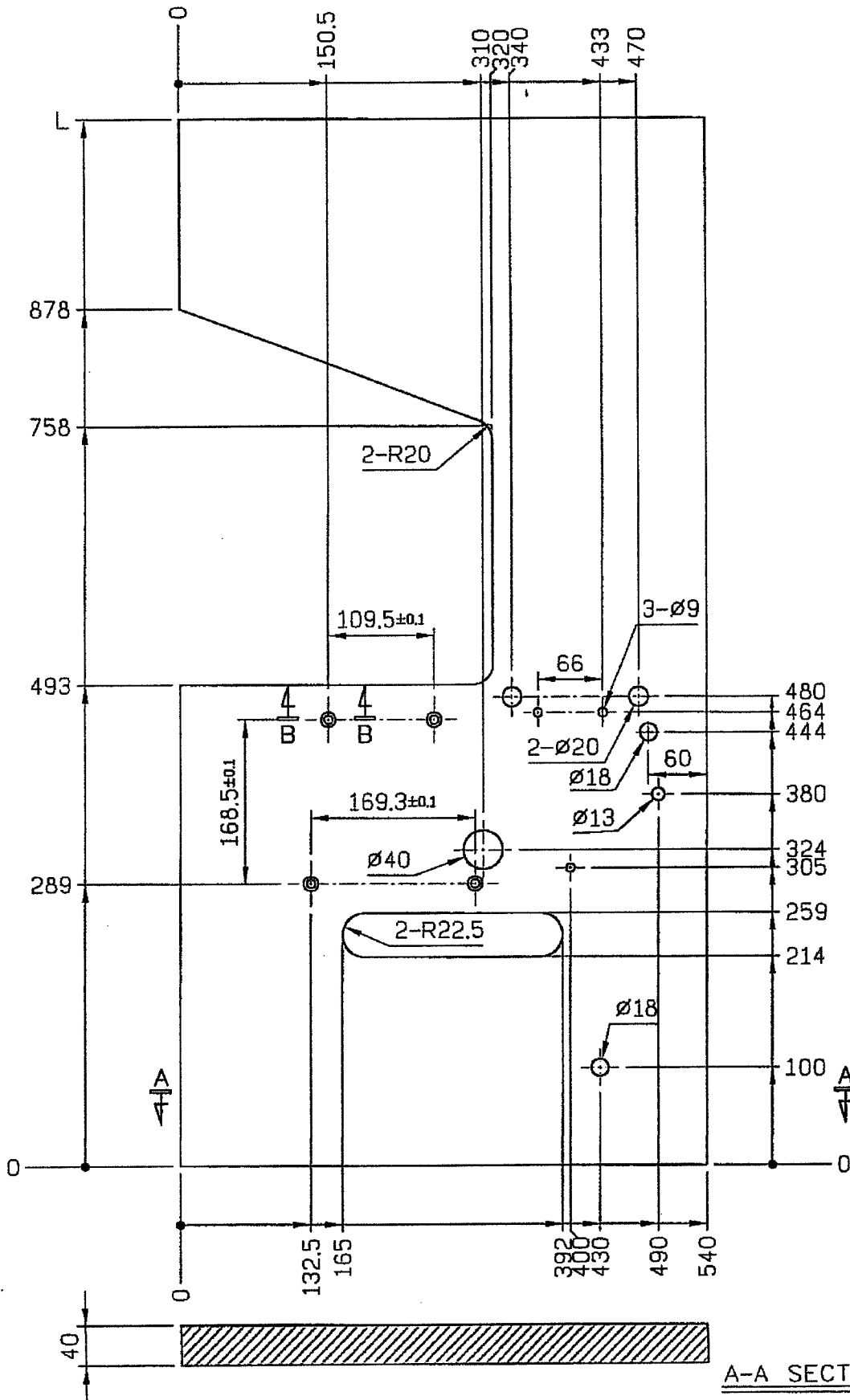
Mounting

Non-submerged

Date

2012/11/18

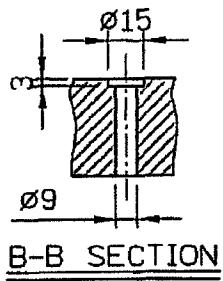
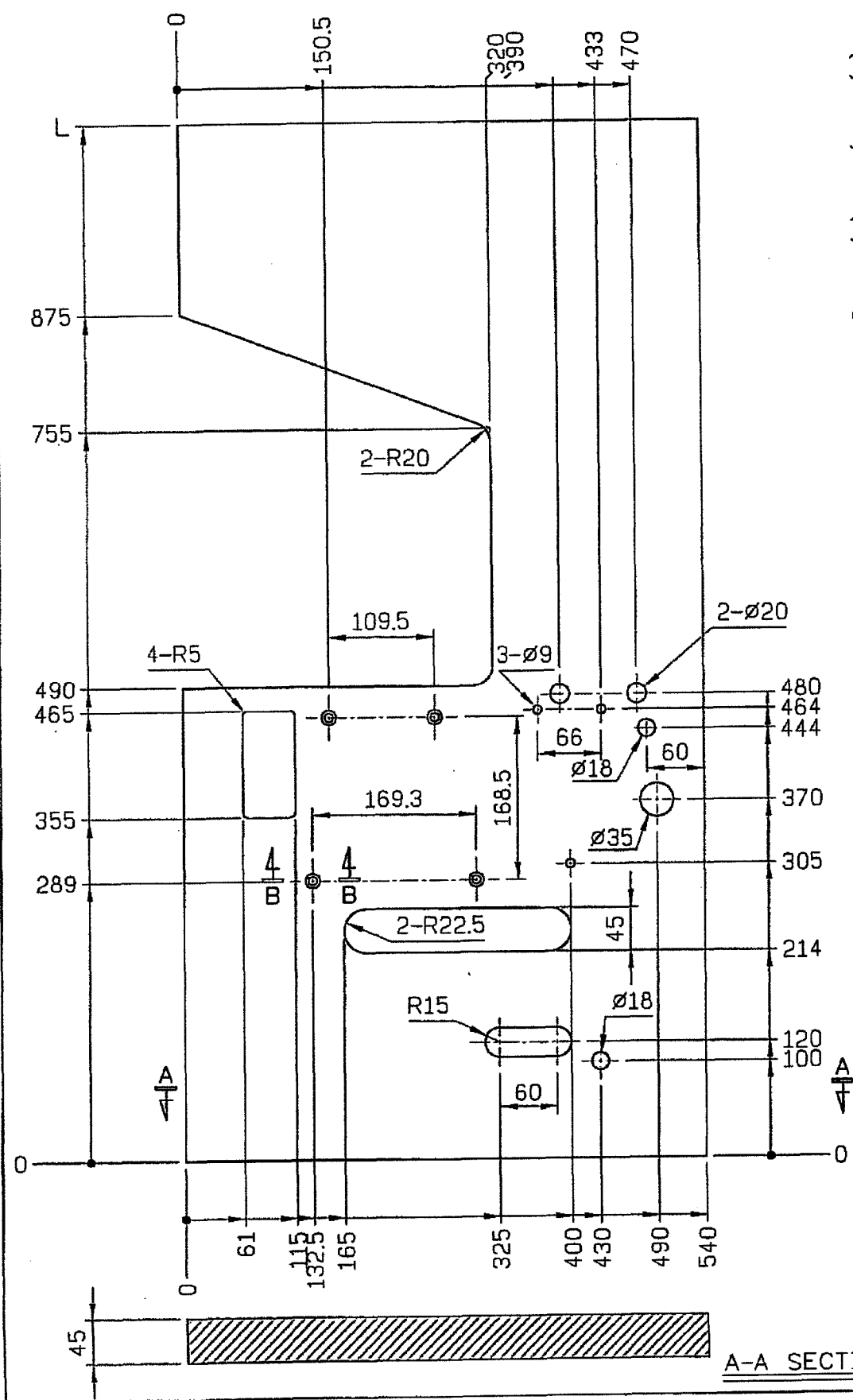
TABLE CUT-OUT SEMI-SUBMERGED  
單位/UNIT:mm  
所有尺寸公差/TOLERANCE:±2  
長度(L):1070/重量(W):11.2kg±5%  
長度(L):1200/重量(W):11.2kg±5%



A-A SECTION

<b>SIRUBA</b> TABLE CUT - OUT	Series	Item Code	Subclass Remark	Mounting
	<b>700FS</b>	<b>747FS-T5</b>	For:LFD M/C 需配SM889-A	Non-submerged
				Date
				2012/11/18

TABLE CUT-OUT SEMI-SUBMERGED  
 單位/UNIT:mm  
 所有尺寸公差/TOLERANCE:±2  
 長度(L):1070/重量(W):10.5kg±5%  
 長度(L):1200/重量(W):11.6kg±5%



A-A SECTION